

DZR 45/6 B



Short description

Axial duct fan, DN 450, three-phase AC

Application examples

Machine extraction unit, Showroom, Foreman's office, Workshop, Production site

Article number 0086.0032

Technical data

| | |
|---------------------------------|--|
| Air flow volume | 4.460 m ³ /h |
| Air volume _{nom} | 3.350 m ³ /h (in opt. efficiency) |
| Pressure p _{fs, nom} | 60 Pa (in opt. efficiency) |
| Rotating speed n _{nom} | 985 1/min (in opt. efficiency) |
| Rotating speed | 990 1/min |
| Impeller type | axial |
| Speed controllable | ✓ |
| Reversing capacity | ✓ |
| Type of voltage | Three-phase AC |
| Rated voltage | 400 V |
| Frequency | 50 Hz |
| Nominal output | 160 W (in opt. efficiency) |
| I _{nom} | 0,55 A (in opt. efficiency) |
| I _{max} | 0,6 A |
| Degree of protection | IP 55 |
| Insulation class | B |
| Pole-changeable | – |
| Mains cable | 7 x 1,5 mm ² |
| Installation position | horizontal / vertical |
| Material | Sheet steel, galvanised |
| Colour | Silver |
| Weight | 19,61 kg |
| Weight including packaging | 21,31 kg |
| Nominal size | 450 mm |
| Width | 510 mm |
| Height | 571 mm |
| Depth | 310 mm |
| Width with packaging | 575 mm |
| Height with packaging | 585 mm |

DZR 45/6 B

| | |
|---|---------------|
| Depth with packaging | 335 mm |
| Airstream temperature at nominal current | 60 °C |
| Airstream temperature at I _{Max} | 60 °C |
| Packing unit | 1 piece |
| Range | C |
| GTIN (EAN) | 4012799860327 |

Technical data according to ErP in Best Efficiency Point (BEP)

| | |
|--|--|
| Total efficiency η | 47,4 % |
| Measurement category | D |
| Efficiency category | total |
| Efficiency level N | 58,9 |
| VSD necessary | No |
| Year of manufacture | see rating plate |
| Manufacturer's name / official registration number / manufacturer's place of establishment | Maico Elektroapparate-Fabrik GmbH / Freiburg registration court, HRB 601233 / Villingen-Schwenningen |
| Art. No. | 0086.0032 |
| P _{BEP} / Air volume _{BEP} / P _{fs, BEP} | 0,15 kW / 3.820 m ³ /h |
| n _{BEP} | 985 1/min |
| Specific ratio | ≈ 1 |
| Information about dismantling and disposal | see mounting instructions |
| Information about installation, operation and repairs | see mounting instructions |
| Objects used to measure efficiency which are not described by the measurement category | - |
| P _{f, BEP} | 67 Pa |
| Sound power level _{L_{WA5}} | 71 dB(A) |

Sound power level in octave range

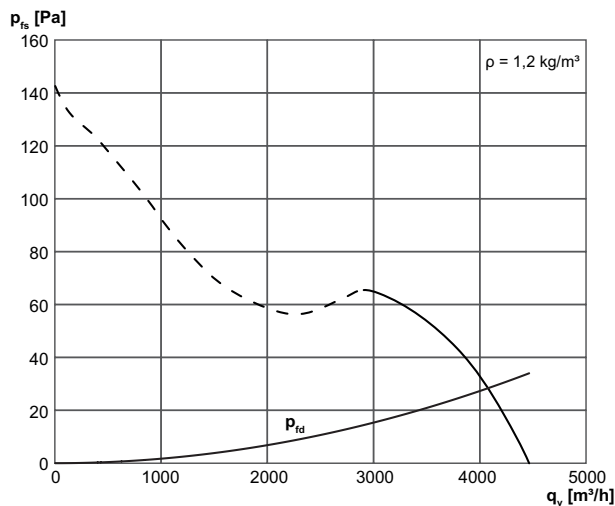
| | 63 Hz | 125 Hz | 250 Hz | 500 Hz | 1 kHz | 2 kHz | 4 kHz | 8 kHz | Total |
|---------------------------------|-------|--------|--------|--------|-------|-------|-------|-------|-------|
| L _{WA2, S1} (dB(A)) | - | - | - | - | - | - | - | - | 41 |
| L _{WA2, S2} (dB(A)) | - | - | - | - | - | - | - | - | 51 |
| L _{WA2, S3} (dB(A)) | - | - | - | - | - | - | - | - | 57 |
| L _{WA2, S4} (dB(A)) | - | - | - | - | - | - | - | - | 60 |
| L _{WA2, S5} (dB(A)) | 31 | 48 | 46 | 59 | 54 | 50 | 44 | 29 | 61 |
| L _{WA5, S1} (dB(A)) | - | - | - | - | - | - | - | - | 56 |

DZR 45/6 B

| | 63 Hz | 125 Hz | 250 Hz | 500 Hz | 1 kHz | 2 kHz | 4 kHz | 8 kHz | Total |
|--|-------|--------|--------|--------|-------|-------|-------|-------|-------|
| L_{WA5, S2} (dB(A)) | - | - | - | - | - | - | - | - | 64 |
| L_{WA5, S3} (dB(A)) | - | - | - | - | - | - | - | - | 67 |
| L_{WA5, S4} (dB(A)) | - | - | - | - | - | - | - | - | 70 |
| L_{WA5, S5} (dB(A)) | 31 | 53 | 59 | 68 | 65 | 63 | 55 | 43 | 71 |
| L_{WA6, S1} (dB(A)) | - | - | - | - | - | - | - | - | 58 |
| L_{WA6, S2} (dB(A)) | - | - | - | - | - | - | - | - | 74 |
| L_{WA6, S3} (dB(A)) | - | - | - | - | - | - | - | - | 77 |
| L_{WA6, S4} (dB(A)) | - | - | - | - | - | - | - | - | 78 |
| L_{WA6, S5} (dB(A)) | 47 | 68 | 62 | 74 | 73 | 72 | 73 | 70 | 80 |

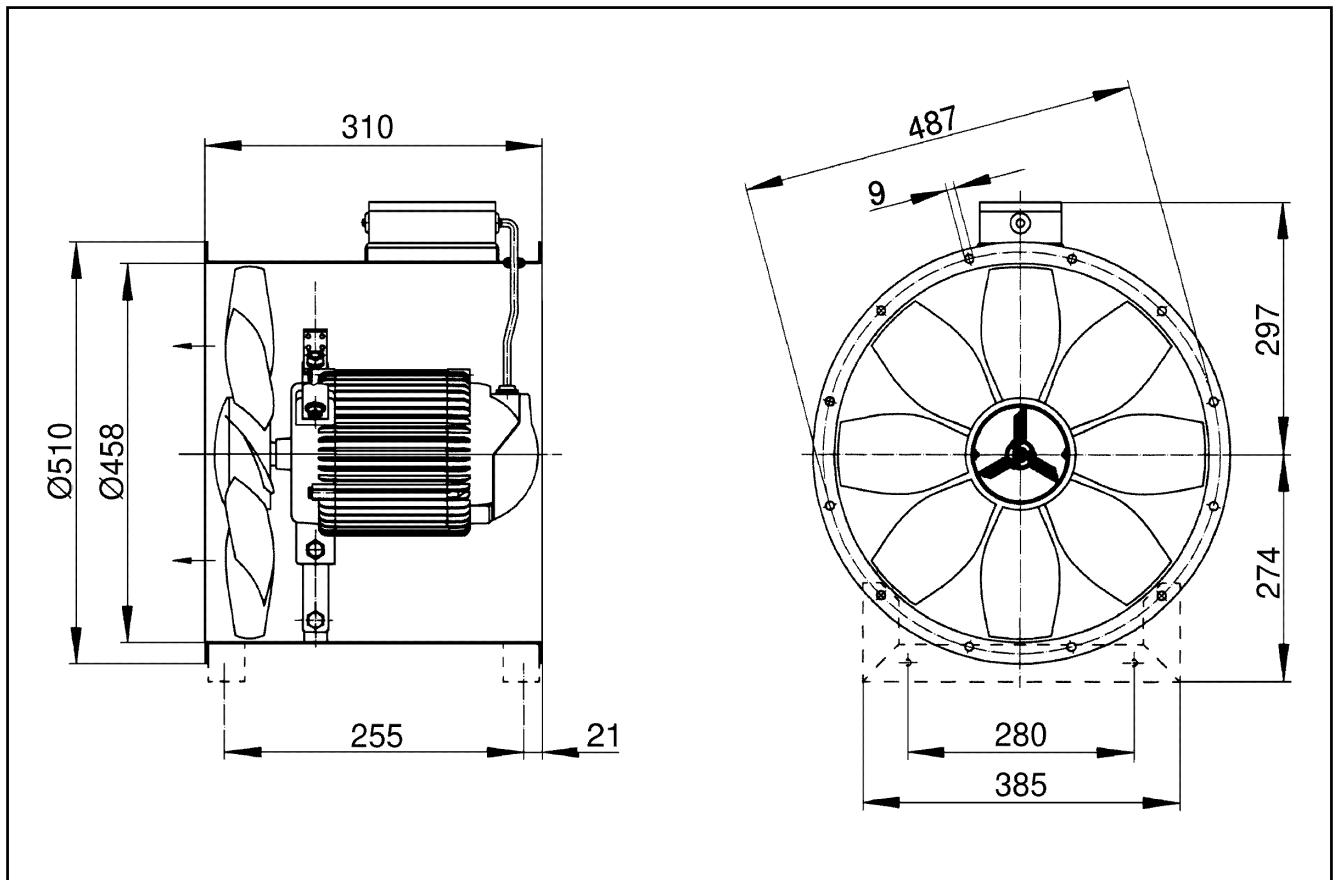
L_{WA2}= housing sound power level in dB.
 L_{WA5}= free inlet sound power level in dB.
 L_{WA6}= free outlet sound power level in dB.

Characteristic curve



DZR 45/6 B

Dimensioned drawing [mm]



Number of flange holes: 12