

DZR 40/84 B



Short description

Axial duct fan, DN 400, three-phase AC, pole-changeable

Application examples

Machine extraction unit, Showroom, Foreman's office, Workshop, Production site

Article number 0086.0048

Technical data

Air flow volume	2.270 m ³ /h / 4.540 m ³ /h
Air volume _{nom}	1.560 m ³ /h / 3.320 m ³ /h (in opt. efficiency)
Pressure p _{fs, nom}	25 Pa - 95 Pa (in opt. efficiency)
Rotating speed n _{nom}	710 1/min - 1.420 1/min (in opt. efficiency)
Rotating speed	716 1/min / 1.440 1/min
Impeller type	axial
Speed controllable	✓
Reversing capacity	✓
Type of voltage	Three-phase AC
Rated voltage	400 V
Frequency	50 Hz
Nominal output	45 W / 250 W (in opt. efficiency)
I _{nom}	0,2 A / 0,55 A (in opt. efficiency)
I _{max}	0,7 A
Degree of protection	IP 55
Insulation class	B
Pole-changeable	✓
Number of poles at high speed	4
Number of poles at low speed	8
Mains cable	5 x 1,5 mm ²
Installation position	horizontal / vertical
Material	Sheet steel, galvanised
Colour	Silver
Weight	14,51 kg
Weight including packaging	16,39 kg
Nominal size	400 mm
Width	438 mm
Height	438 mm
Depth	370 mm

DZR 40/84 B

Width with packaging	495 mm
Height with packaging	510 mm
Depth with packaging	400 mm
Airstream temperature at nominal current	60 °C
Airstream temperature at I_{Max}	60 °C
Packing unit	1 piece
Range	C
GTIN (EAN)	4012799860488

Technical data according to ErP in Best Efficiency Point (BEP)

Total efficiency η	48,1 %
Measurement category	D
Efficiency category	total
Efficiency level N	58,4
VSD necessary	No
Year of manufacture	see rating plate
Manufacturer's name / official registration number / manufacturer's place of establishment	Maico Elektroapparate-Fabrik GmbH / Freiburg registration court, HRB 601233 / Villingen-Schwenningen
Art. No.	0086.0048
P_{BEP} / Air volume $_{BEP}$ / $P_{fs, BEP}$	0,23 kW / 3.980 m ³ /h
n_{BEP}	1.430 1/min
Specific ratio	≈ 1
Information about dismantling and disposal	see mounting instructions
Information about installation, operation and repairs	see mounting instructions
Objects used to measure efficiency which are not described by the measurement category	-
$P_{f, BEP}$	100 Pa
Sound power level $_{L_{WA5}}$	59 dB(A) / 78 dB(A)

Sound power level in octave range

	63 Hz	125 Hz	250 Hz	500 Hz	1 kHz	2 kHz	4 kHz	8 kHz	Total
$L_{WA2, high}$ (dB(A))	33	51	57	60	62	58	55	43	66
$L_{WA2, low}$ (dB(A))	25	41	41	44	44	40	34	25	49
$L_{WA5, high}$ (dB(A))	30	51	69	73	72	71	63	53	78
$L_{WA5, low}$ (dB(A))	24	45	57	50	51	51	41	27	59
$L_{WA8, high}$ (dB(A))	55	59	69	78	78	78	77	74	84

DZR 40/84 B

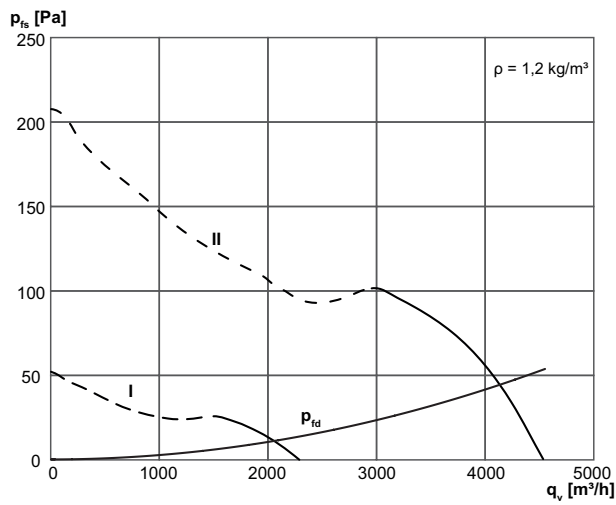
	63 Hz	125 Hz	250 Hz	500 Hz	1 kHz	2 kHz	4 kHz	8 kHz	Total
L_{WA8, low} (dB(A))	37	46	56	57	62	63	64	62	69

L_{WA2}= housing sound power level in dB.

L_{WA5}= free inlet sound power level in dB.

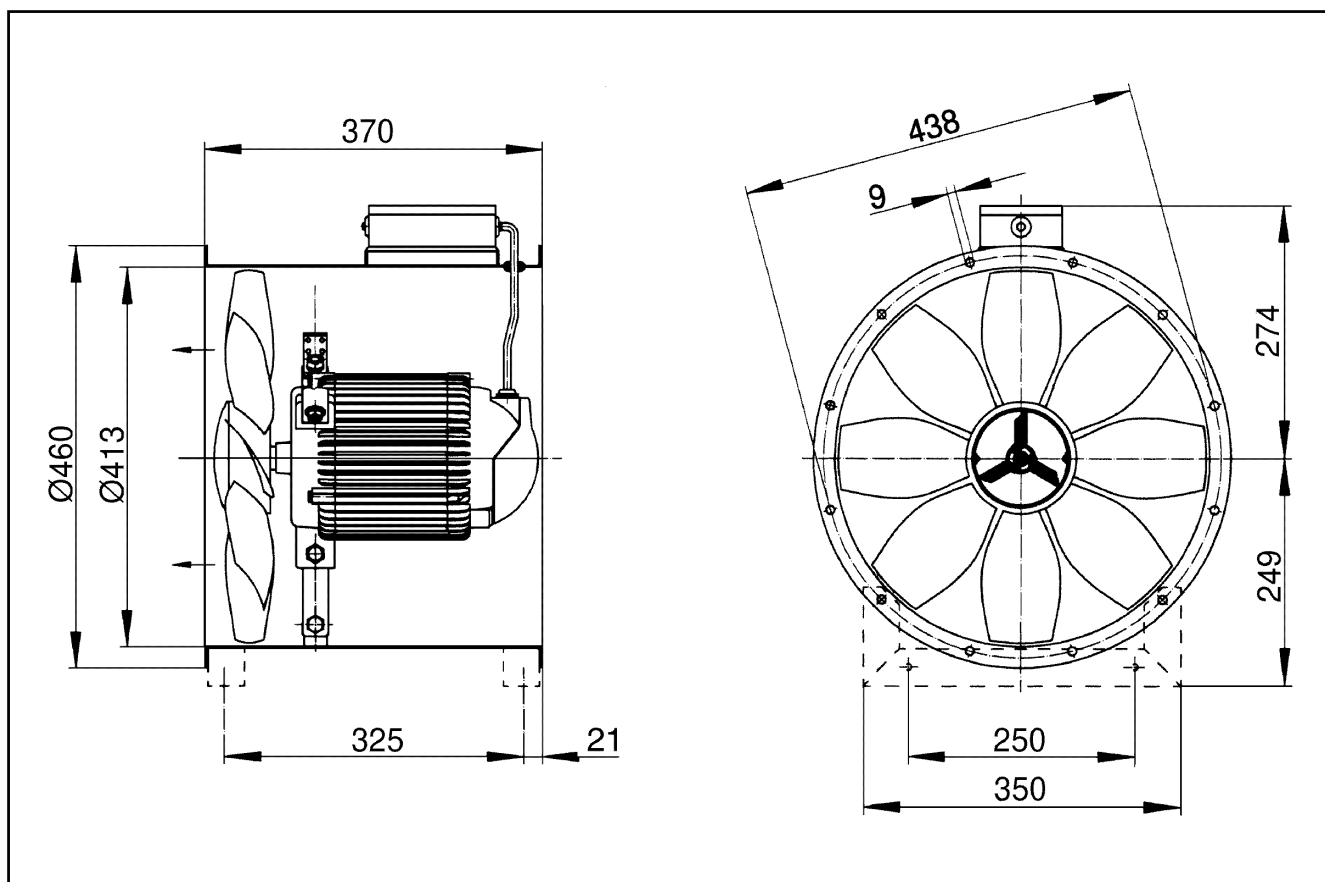
L_{WA8}= housing and free outlet sound power level in dB.

Characteristic curve



DZR 40/84 B

Dimensioned drawing [mm]



Number of flange holes: 12