

DZR 40/4 B



Short description

Axial duct fan, DN 400, three-phase AC

Application examples

Machine extraction unit, Showroom, Foreman's office, Workshop, Production site

Article number 0086.0030

Technical data

Air flow volume	4.590 m ³ /h
Air volume _{nom}	3.210 m ³ /h (in opt. efficiency)
Pressure p _{fs, nom}	98 Pa (in opt. efficiency)
Rotating speed n _{nom}	1.460 1/min (in opt. efficiency)
Rotating speed	1.474 1/min
Impeller type	axial
Speed controllable	✓
Reversing capacity	✓
Type of voltage	Three-phase AC
Rated voltage	400 V
Frequency	50 Hz
Nominal output	230 W (in opt. efficiency)
I _{nom}	0,6 A (in opt. efficiency)
I _{max}	0,7 A
Degree of protection	IP 55
Insulation class	B
Pole-changeable	–
Mains cable	7 x 1,5 mm ²
Installation position	horizontal / vertical
Material	Sheet steel, galvanised
Colour	Silver
Weight	11,7 kg
Weight including packaging	13,66 kg
Nominal size	400 mm
Width	438 mm
Height	438 mm
Depth	370 mm
Width with packaging	500 mm
Height with packaging	510 mm

DZR 40/4 B

Depth with packaging	400 mm
Airstream temperature at nominal current	60 °C
Airstream temperature at I _{Max}	60 °C
Packing unit	1 piece
Range	C
GTIN (EAN)	4012799860303

Technical data according to ErP in Best Efficiency Point (BEP)

Total efficiency η	54,5 %
Measurement category	D
Efficiency category	total
Efficiency level N	65,1
VSD necessary	No
Year of manufacture	see rating plate
Manufacturer's name / official registration number / manufacturer's place of establishment	Maico Elektroapparate-Fabrik GmbH / Freiburg registration court, HRB 601233 / Villingen-Schwenningen
Art. No.	0086.0030
P _{BEP} / Air volume _{BEP} / P _{fs, BEP}	0,205 kW / 4.020 m ³ /h
n_{BEP}	1.465 1/min
Specific ratio	≈ 1
Information about dismantling and disposal	see mounting instructions
Information about installation, operation and repairs	see mounting instructions
Objects used to measure efficiency which are not described by the measurement category	-
P _{f, BEP}	100 Pa
Sound power level _{L_{WA5}}	76 dB(A)

Sound power level in octave range

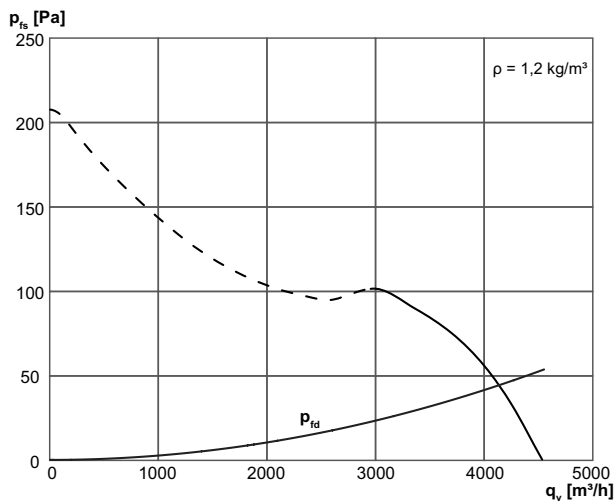
	63 Hz	125 Hz	250 Hz	500 Hz	1 kHz	2 kHz	4 kHz	8 kHz	Total
L_{WA2, S1} (dB(A))	-	-	-	-	-	-	-	-	44
L_{WA2, S2} (dB(A))	-	-	-	-	-	-	-	-	54
L_{WA2, S3} (dB(A))	-	-	-	-	-	-	-	-	57
L_{WA2, S4} (dB(A))	-	-	-	-	-	-	-	-	62
L_{WA2, S5} (dB(A))	33	47	55	58	60	55	54	41	64
L_{WA5, S1} (dB(A))	-	-	-	-	-	-	-	-	58

DZR 40/4 B

	63 Hz	125 Hz	250 Hz	500 Hz	1 kHz	2 kHz	4 kHz	8 kHz	Total
L_{WA5, S2} (dB(A))	-	-	-	-	-	-	-	-	66
L_{WA5, S3} (dB(A))	-	-	-	-	-	-	-	-	69
L_{WA5, S4} (dB(A))	-	-	-	-	-	-	-	-	72
L_{WA5, S5} (dB(A))	33	50	66	69	70	69	62	52	75
L_{WA6, S1} (dB(A))	-	-	-	-	-	-	-	-	64
L_{WA6, S2} (dB(A))	-	-	-	-	-	-	-	-	75
L_{WA6, S3} (dB(A))	-	-	-	-	-	-	-	-	78
L_{WA6, S4} (dB(A))	-	-	-	-	-	-	-	-	80
L_{WA6, S5} (dB(A))	52	57	68	77	77	77	77	74	83

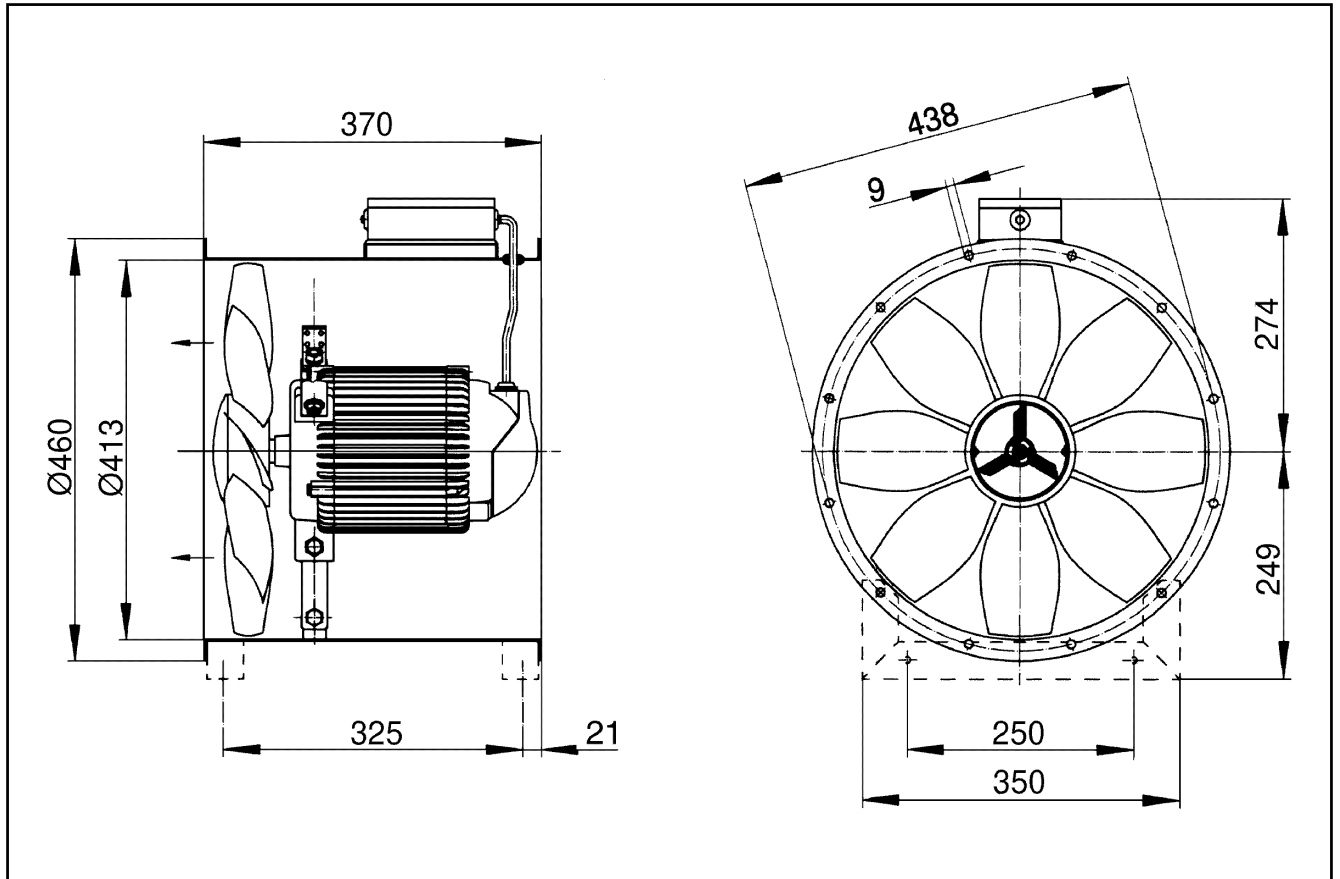
L_{WA2}= housing sound power level in dB.
 L_{WA5}= free inlet sound power level in dB.
 L_{WA6}= free outlet sound power level in dB.

Characteristic curve



DZR 40/4 B

Dimensioned drawing [mm]



Number of flange holes: 12