

# DZR 35/6 B Ex t



## Short description

Axial duct fan, DN350, three-phase AC, explosion-proof, medium: dust

Article number 0086.0726

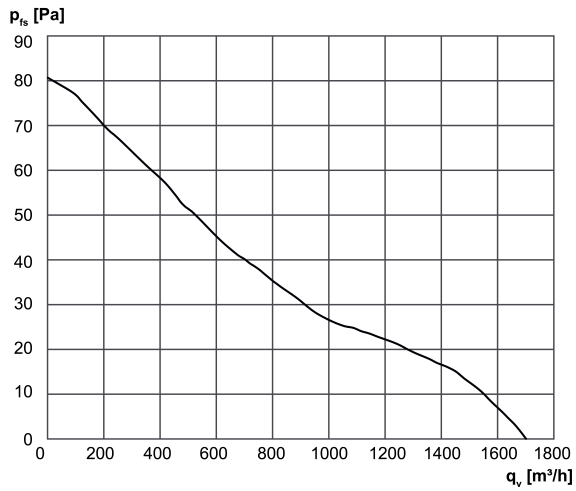
## Technical data

Air flow volume	1.700 m <sup>3</sup> /h
Speed controllable	–
Reversing capacity	✓
Type of voltage	Three-phase AC
Rated voltage	400 V
Frequency	50 Hz
Nominal output	35 W
cosφ	0,38
I <sub>nom</sub>	0,13 A
I <sub>max</sub> at U <sub>Nominal</sub>	0,16 A
Degree of protection	IP 64
Insulation class	F
Material	Sheet steel, galvanised
Colour	galvanised
Weight	13 kg
Weight including packaging	14,92 kg
Nominal size	350 mm
Width	474 mm
Height	474 mm
Depth	320 mm
Width with packaging	475 mm
Height with packaging	495 mm
Depth with packaging	350 mm
EX designation in accordance with the ATEX Directive	Ex II 2 D
EX designation in accordance with standard	Ex tb IIIB T135°C Db IP64 X / Ex h IIIB T135°C Db X
Ta ambient temperature	-20 °C ≤ Ta ≤ +40 °C
Time t <sub>A</sub>	1390 sek
Operating mode	S1
PTC DIN 44082	M 80

# DZR 35/6 B Ex t

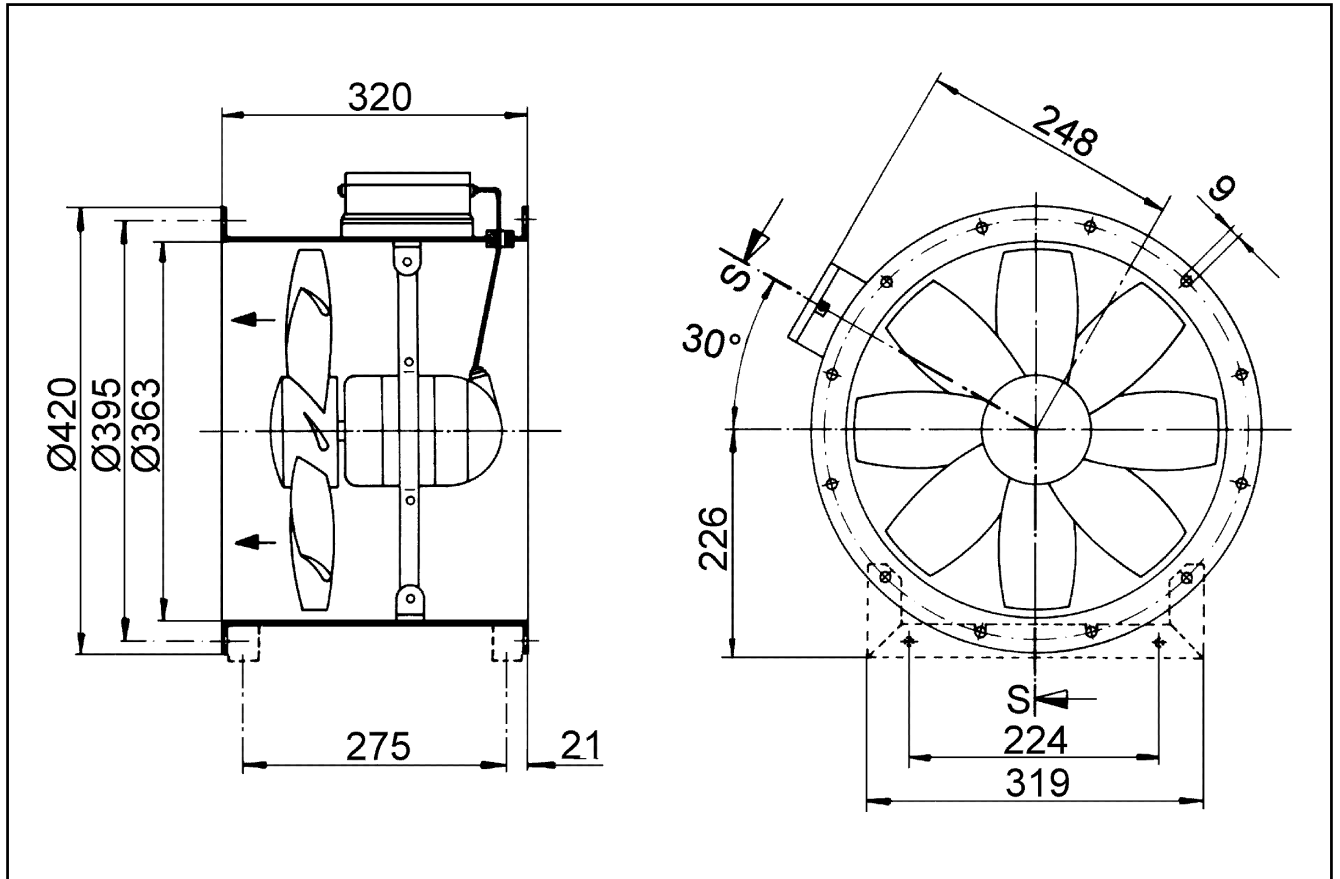
EC type examination certificate	TÜV-A 19 ATEX0103 X, IECEx EPS 19.0019X
Temperature class	T135°C
Temperature class of insulating materials Th. Cl.	155 (F)
Packing unit	1 piece
Range	C
GTIN (EAN)	4012799867265

## Characteristic curve



# DZR 35/6 B Ex t

Dimensioned drawing [mm]



Number of flange holes: 8