

DZR 30/42 B



Short description

Axial duct fan, DN 300, three-phase AC, pole-changeable

Application examples

Machine extraction unit, Showroom, Foreman's office, Workshop, Production site

Article number 0086.0044

Technical data

Air flow volume	1.890 m ³ /h / 3.870 m ³ /h
Air volume _{nom}	1.410 m ³ /h / 2.730 m ³ /h (in opt. efficiency)
Pressure p _{fs, nom}	40 Pa - 180 Pa (in opt. efficiency)
Rotating speed n _{nom}	1.450 1/min - 2.830 1/min (in opt. efficiency)
Rotating speed	1.472 1/min / 2.879 1/min
Impeller type	axial
Speed controllable	✓
Reversing capacity	✓
Type of voltage	Three-phase AC
Rated voltage	400 V
Frequency	50 Hz
Nominal output	70 W / 405 W (in opt. efficiency)
I _{nom}	0,3 A / 1 A (in opt. efficiency)
I _{max}	1,2 A
Degree of protection	IP 55
Insulation class	B
Pole-changeable	✓
Number of poles at high speed	2
Number of poles at low speed	4
Mains cable	5 x 1,5 mm ²
Installation position	horizontal / vertical
Material	Sheet steel, galvanised
Colour	Silver
Weight	11,61 kg
Weight including packaging	12,42 kg
Nominal size	300 mm
Width	380 mm
Height	424 mm
Depth	300 mm

DZR 30/42 B

Width with packaging	425 mm
Height with packaging	430 mm
Depth with packaging	320 mm
Airstream temperature at nominal current	60 °C
Airstream temperature at I_{Max}	-20 °C up to 60 °C
Packing unit	1 piece
Range	C
GTIN (EAN)	4012799860440

Technical data according to ErP in Best Efficiency Point (BEP)

Total efficiency η	49 %
Measurement category	D
Efficiency category	total
Efficiency level N	58,2
VSD necessary	No
Year of manufacture	see rating plate
Manufacturer's name / official registration number / manufacturer's place of establishment	Maico Elektroapparate-Fabrik GmbH / Freiburg registration court, HRB 601233 / Villingen-Schwenningen
Art. No.	0086.0044
P_{BEP} / Air volume $_{BEP}$ / $P_{fs, BEP}$	0,361 kW / 3.390 m ³ /h
n_{BEP}	2.850 1/min
Specific ratio	≈ 1
Information about dismantling and disposal	see mounting instructions
Information about installation, operation and repairs	see mounting instructions
Objects used to measure efficiency which are not described by the measurement category	-
$P_{f, BEP}$	188 Pa
Sound power level $_{L_{WA5}}$	67 dB(A) / 89 dB(A)

Sound power level in octave range

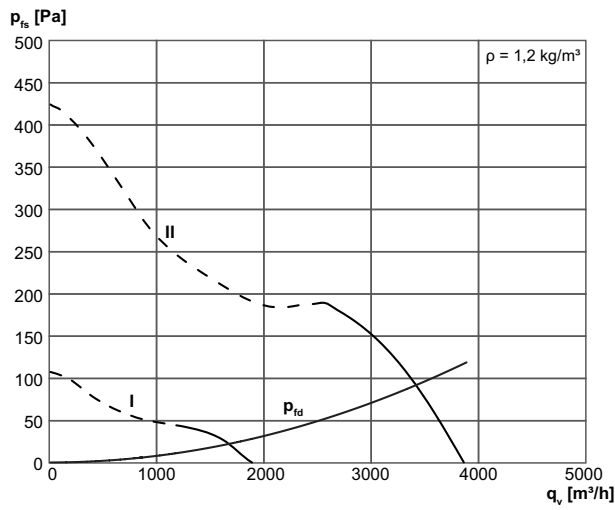
	63 Hz	125 Hz	250 Hz	500 Hz	1 kHz	2 kHz	4 kHz	8 kHz	Total
$L_{WA2, low}$ (dB(A))	22	38	47	57	52	52	47	37	60
$L_{WA2, high}$ (dB(A))	35	48	59	67	73	70	66	58	76
$L_{WA5, low}$ (dB(A))	25	39	59	66	61	63	57	45	67
$L_{WA5, high}$ (dB(A))	37	50	78	76	86	84	75	67	89
$L_{WA8, low}$ (dB(A))	36	46	58	71	68	68	67	63	75

DZR 30/42 B

	63 Hz	125 Hz	250 Hz	500 Hz	1 kHz	2 kHz	4 kHz	8 kHz	Total
L_{WA8, high} (dB(A))	60	61	72	84	89	88	83	79	93

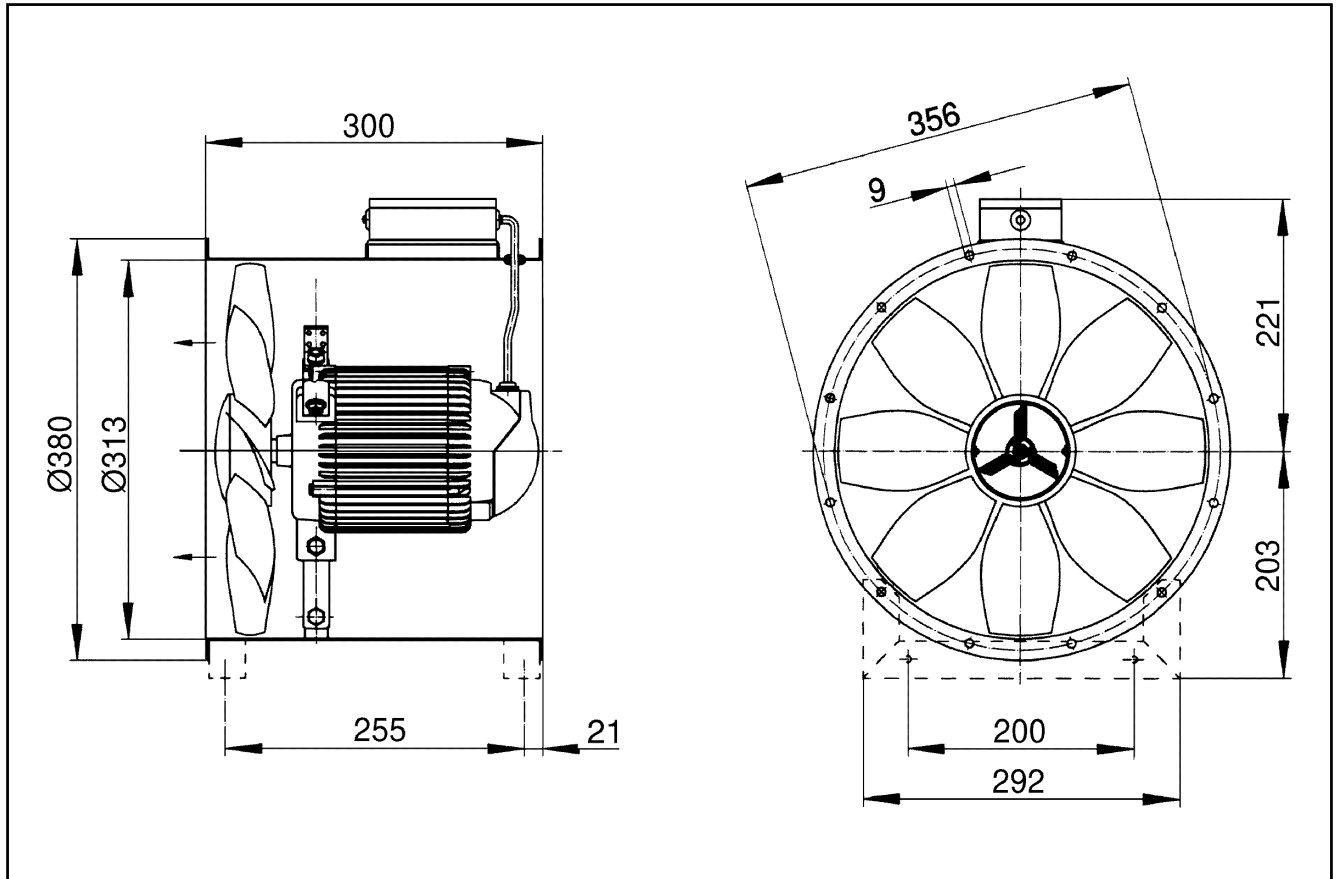
L_{WA2}= housing sound power level in dB.
 L_{WA5}= free inlet sound power level in dB.
 L_{WA8}= housing and free outlet sound power level in dB.

Characteristic curve



DZR 30/42 B

Dimensioned drawing [mm]



Number of flange holes: 8