

DZR 25/4 B Ex e



Short description

Axial duct fan, DN250, three-phase AC, explosion-proof, medium: gas

Application examples

Environment with explosion hazard (zone 1 and 2), Workshop, Storage facility, Laboratory, Workplace air extraction system

Article number 0086.0701

Technical data

| | |
|--|--|
| Air flow volume | 980 m ³ /h |
| Rotating speed | 1.475 1/min |
| Impeller type | axial |
| Speed controllable | ✓ |
| Reversing capacity | ✓ |
| Type of voltage | Three-phase AC |
| Rated voltage | 400 V |
| Frequency | 50 Hz |
| Nominal output | 38 W |
| cosφ | 0,28 |
| I _{nom} | 0,19 A |
| I _{max} at U _{Nominal} | 0,19 A |
| Degree of protection | IP 64 |
| Insulation class | F |
| Installation position | vertical / horizontal |
| Material | Sheet steel, galvanised |
| Housing material | Sheet steel, galvanised |
| Colour | galvanised |
| Weight | 8,52 kg |
| Weight including packaging | 9,44 kg |
| Nominal size | 250 mm |
| Width | 372 mm |
| Height | 372 mm |
| Depth | 300 mm |
| Width with packaging | 420 mm |
| Height with packaging | 430 mm |
| Depth with packaging | 330 mm |
| EX designation in accordance with the ATEX Directive | Ex II 2 G |
| EX designation in accordance with standard | Ex eb IIB + H ₂ T3 Gb / Ex h IIB + H ₂ T3 Gb |

DZR 25/4 B Ex e

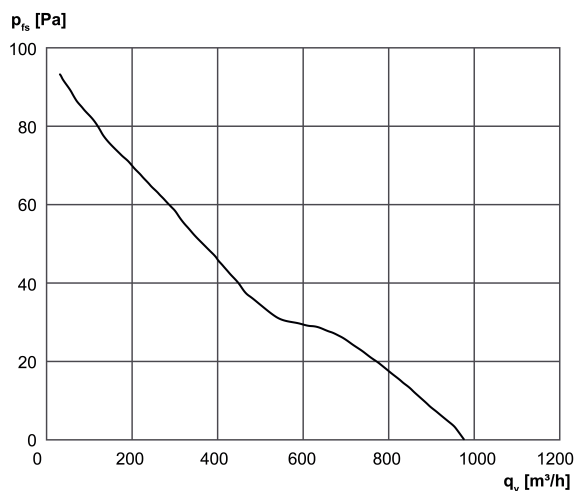
| | |
|---|---|
| Ta ambient temperature | -20 °C ≤ Ta ≤ +60 °C |
| I _A /I _N | 3,7 |
| Time t _A | 450 sek |
| Operating mode | S1 |
| PTC DIN 44082 | M 100 |
| EC type examination certificate | TÜV-A 19 ATEX0103 X, IECEx EPS 19.0019X |
| Temperature class | T3 |
| Temperature class of insulating materials Th. Cl. | 155 (F) |
| Packing unit | 1 piece |
| Range | C |
| GTIN (EAN) | 4012799867012 |

Sound power level in octave range

| | 63 Hz | 125 Hz | 250 Hz | 500 Hz | 1 kHz | 2 kHz | 4 kHz | 8 kHz | Total |
|-----------------------------------|-------|--------|--------|--------|-------|-------|-------|-------|-------|
| L _{WA5, high} (dB(A)) | - | - | - | - | - | - | - | - | 65 |

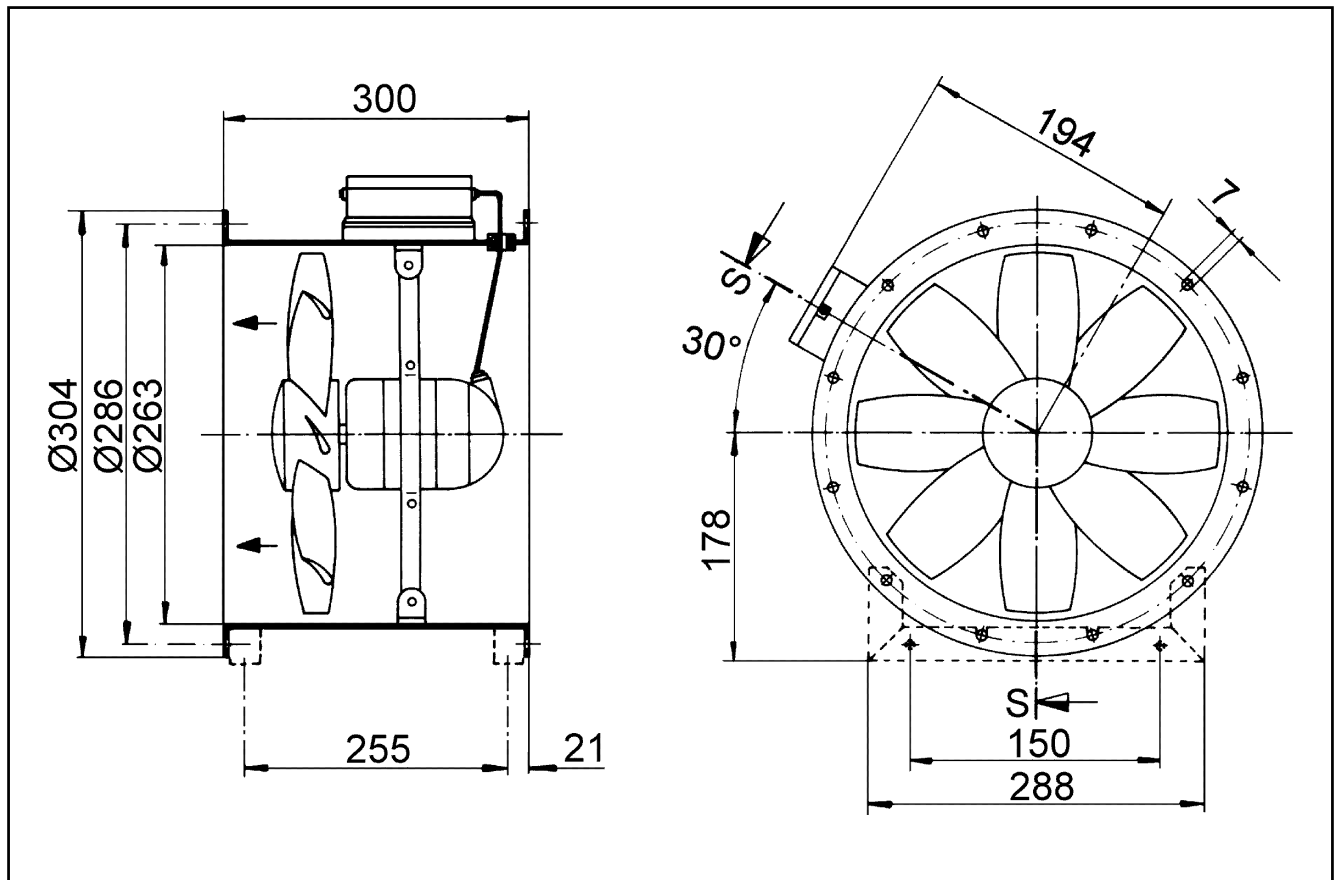
L_{WA5}= free inlet sound power level in dB.

Characteristic curve



DZR 25/4 B Ex e

Dimensioned drawing [mm]



Number of flange holes: 6