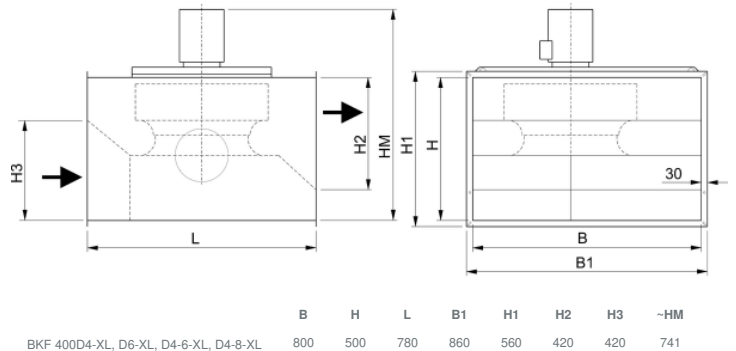


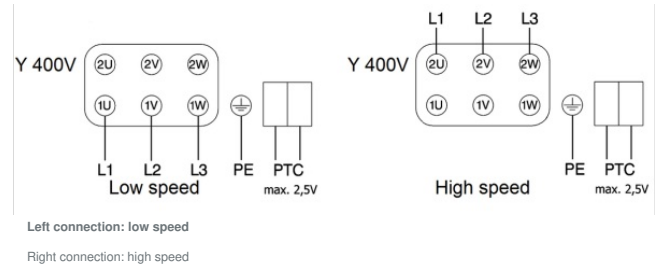
## Technical parameters

Nominal data	
Voltage (nominal)	400 V
Frequency	50 Hz
Phases	3~
Motor circuit connection	Y
Input power	790 W
Starting current	6.8 A
Input current	1.65 A
Impeller speed	1,432 rpm
Air flow	max 5,141 m <sup>3</sup> /h
Max. Temperature of transported air for 120 min	400 °C
Temperature of transported air	max 120 °C
Sound data	
Sound pressure level at 3m (20m <sup>2</sup> Sabin)	61 dB(A)
Protection/Classification	
Enclosure class, motor	IP55
Insulation class	F
Data according to ErP	
ErP ready	Not ErP relevant
Dimensions and weights	
Weight	70 kg
Others	
Motor type	AC

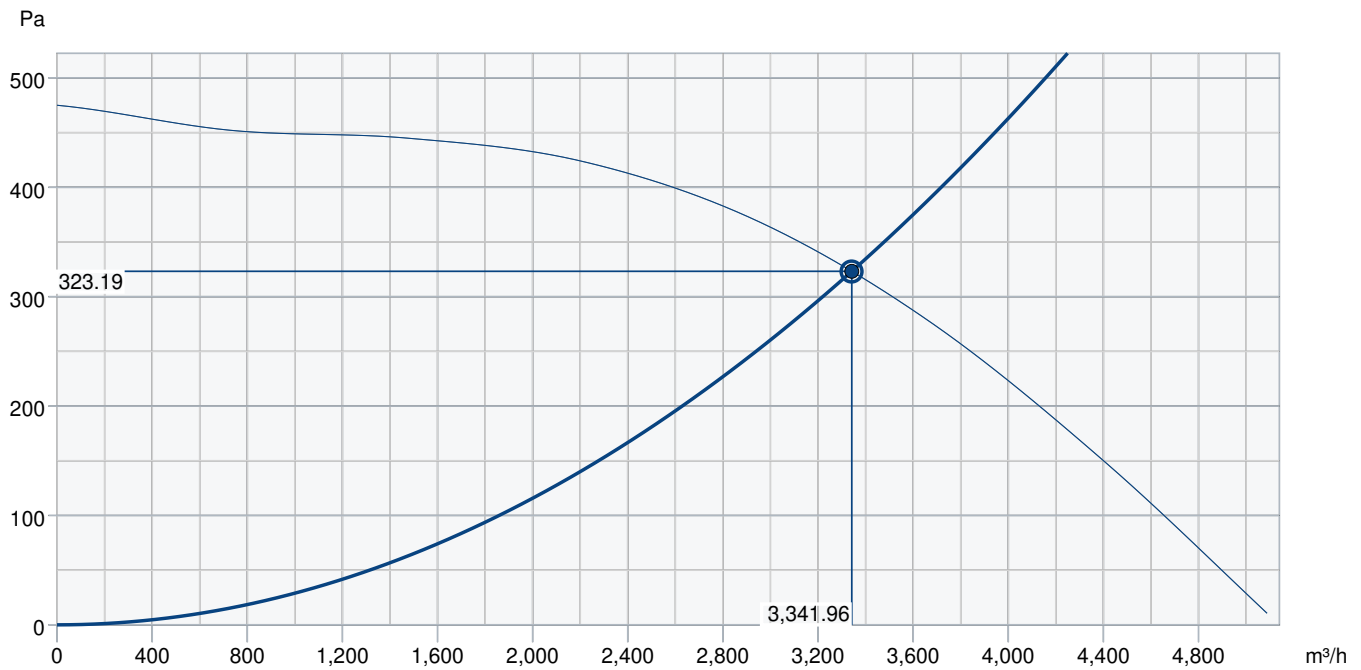
## Dimension



## Wiring



## Performance curve



### Hydraulic data

Required air flow	3,341 m³/h
Required static pressure	323 Pa
Working air flow	3,342 m³/h
Working static pressure	323 Pa
Air density	1.204 kg/m³
Power	772.7 W
Fan control - RPM	1,431 rpm
Current	1.64 A
SFP	0.832 kW/m³/s
Control voltage	400.0 V
Supply voltage	400 V

### Accessories

U-EK230E Motor protection (30199)

DRAIN NIPPLE BKF (95458)

PG-BKF 400-450 (95745)

WPR BKF 400-450 (95740)

AES3.2-0,9KW, SS, control unit (77104)

FLC BKF 400-450 (95735)

U-EK plastic housing IP65 (298149)

## Documents

BKF\_E8306\_15\_06\_2017.pdf

IMO\_BKF

BKF\_400\_450\_02.dxf

Certificate-DVV-DVG-BKF-MRH-CPR-597958