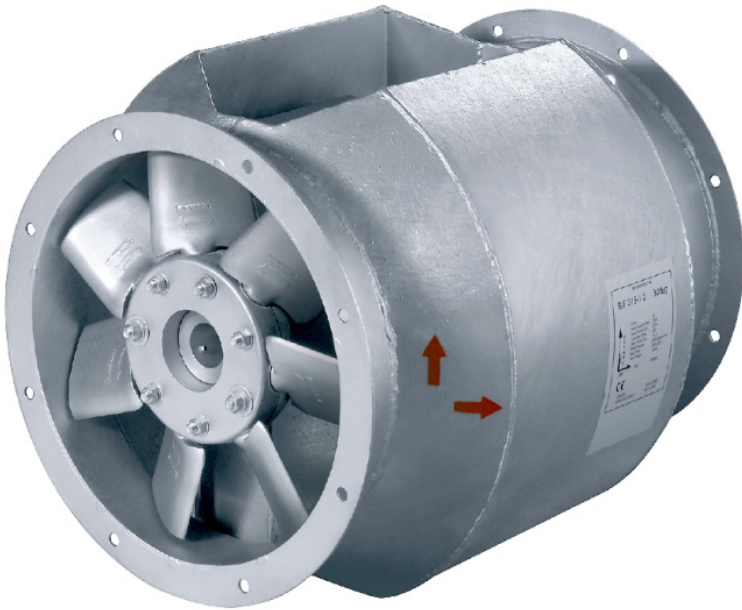


AXCBF Axial Fans

Bifurcated axial fan for high temperature extraction

- Up to 200°C
- Bifurcated casing
- Performance tested

[Find more details in our online catalogue](#)



Application

The bifurcated build of the AXCBF range is designed for the extraction of dirty, humid and hot air up to 200°C.

Sturdy and dependable design

Corrosion-proof **aluminum impellers**, **IE3** high-efficiency **motors** and a **hot-dip galvanized steel casing** ensure **high quality** and a **long life time**.

Tested according to ISO 5801 and AMCA 210

The AXC axial fans have been **performance tested** in accordance with **ISO 5801** and **AMCA 210** standards on the Systemair fan test rig.

Certifications



Green Ventilation

Features

Construction

The **bifurcated casing** is made from **hot-dip galvanised steel** according to ISO 1461 with **pre-drilled flanges**. The terminal box with **IP 65** is mounted outside on the casing.

Impeller

The impellers are made of **aluminum** and are **dynamically balanced** in accordance with ISO 21940-11, balancing quality G6,3, and vibration limits according to ISO 14694.

Motor

Standard models are driven by three-phase **AC motors** with efficiency **IE3** suitable for **50Hz**.

The motor is **outside** the **airflow**.

Motor protection

The **motors** are equipped with **PTC thermistors** for motor protection.

Control

Motors can be speed controlled by **frequency inverter** between 10 and 60 Hz.

Installation

The **AXCBF** fans can be installed in different positions **indoor** and **outdoor** (for more information see the manual).

Recommended **accessories**: flexible connections, vibration dampers, mounting feet.

Technical parameters

Nominal data

Voltage (nominal)	400	V
Frequency	50	Hz
Phases	3~	
Motor circuit connection	D; Y	
Input power	896	W
Input power kW	0.896	kW
Nominal power at shaft (P2)	0.75	kW
Input current	1.68	A
Impeller speed	2,875	rpm
Air flow	max 3,424	m³/h
Temperature of transported air	max 200	°C

Sound data

Sound pressure level at 1m	90	dB(A)
----------------------------	----	-------

Protection/Classification

Enclosure class, motor	IP55
Insulation class	F

Ambient and duct temperature

Permitted ambient temperature	max 55	°C
-------------------------------	--------	----

Dimensions and weights

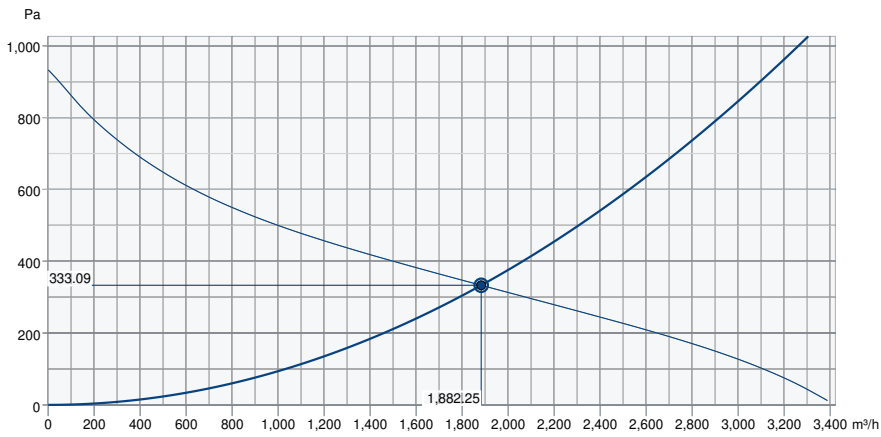
Duct dimension; Circular, inlet	315	mm
Duct dimension; Circular, outlet	315	mm
Weight	35	kg

Others

Duct connection type	Circular
Motor type	AC

Performance

Performance curve



Hydraulic data

Required air flow	1,882 m³/h
Required static pressure	333 Pa
Working air flow	1,882 m³/h
Working static pressure	333 Pa
Air density	1.204 kg/m³
Power	679.5 W
Fan control - RPM	2,920 rpm
Current	1.40 A
SFP	1.300 kW/m³/s
Control voltage	400.0 V
Supply voltage	400 V

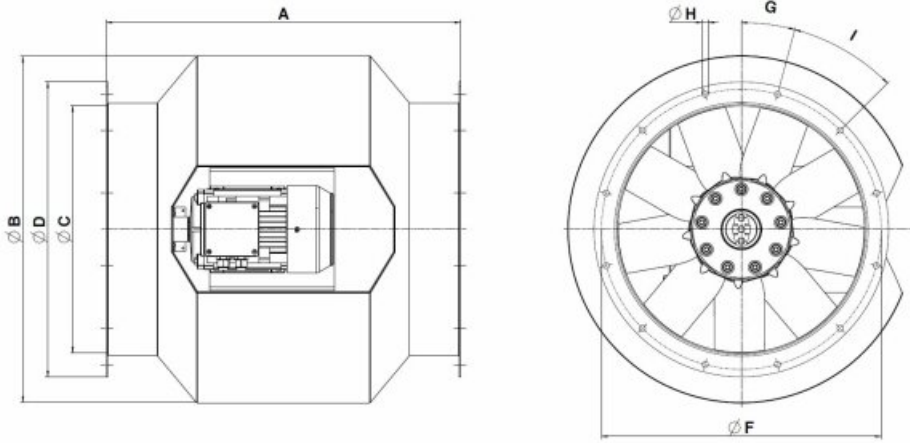
Acoustic

Mid-frequency band, Hz

	Hz	Tot	63	125	250	500	1k	2K	4K	8K
LwA inlet /outlet	dB(A)	90	61	72	80	84	85	82	78	71

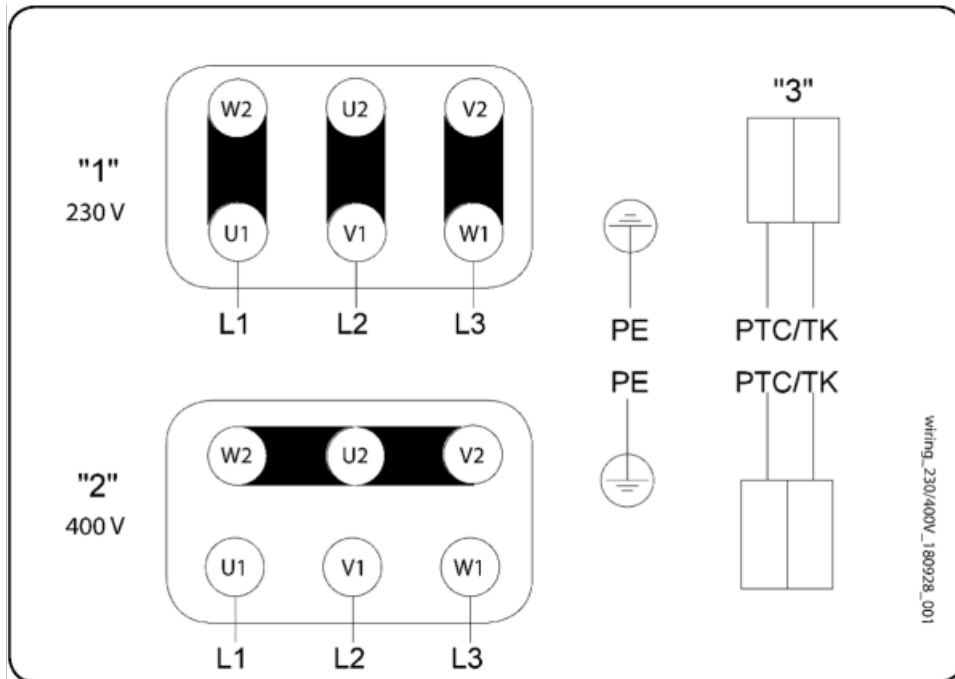
Measuring point: qv = 0,66 m3/s, Ps = 254 Pa

Dimension



	A	Ø B	Ø C	Ø D	Ø F	G	Ø H	I
AXCBF 315	535	452	315	385	355	22,5°	10	8 x 45°

Wiring



230/400V motor

- "1" 3 x 230V Delta connection
- "2" 3 x 400V Star connection
- "3" Thermal motor protection optional

See motor name plate!

Accessories

- EVH 315 flex.conn. AXC 400°C (8364)
- Frequency converter FRQ5-4A (36229)
- Frequency converter FRQS-4A (36231)
- GFL-AR/AXC 315 counter flange (8376)
- MFA-AXCBF 315 mounting foot (308725)
- RSA 315/315/070 (F) (311346)
- RSA 315/630/070 (F) (311348)
- U-EK230E Motor protection (30199)
- REV-5POL/07-7,5kW B/G (281742)
- Frequency converter FRQ-4A (36227)
- Frequency converter FRQ5S-4A (36233)
- FSD1 AXC spring set 4 ≤64kg (311438)
- LRK 315(F) air oper. damper (8316)
- REV-5POL/07-7,5kW R/Y (33980)
- RSA 315/472,5/070 (F) (311347)
- SG AXC/AM/AR 315 guard grill (310685)
- FC102-1,1kW/3A-IP55, 150/50m (36158)
- SG-20 AXC315 protection grill (254252)

Documents

- technical-documentation-manuals_308013_EN_015