

This product is discontinued

This product is discontinued

This product was replaced by [AW 560D EC Axial fan](#)

[Find more details in our online catalogue](#)



Certifications



Green Ventilation

Technical parameters

Nominal data

Voltage (nominal)	400	V
Frequency	50; 60	Hz
Phases	3~	
Input power	951	W
Input power kW	0.951	kW
Input current	1.52	A
Impeller speed	1,362	rpm
Air flow	max 11,437	m³/h
Air flow at max. efficiency	7,890	m³/h
Specific ratio	1,000000	
Temperature of transported air	max 60	°C
Max temperature of transported air, when speed controlled	60	°C

Protection/Classification

Enclosure class, motor	IP54
Insulation class	B

Data according to ErP

ErP ready	ErP 2018
Measurement category	A
Efficiency grade	49.4 η_{actual}
Efficiency, static	42.9 η_{statA}
Target efficiency grade ErP2013	36 $\eta_{target2013}$
Target efficiency grade ErP2015	40 $\eta_{target2015}$

Dimensions and weights

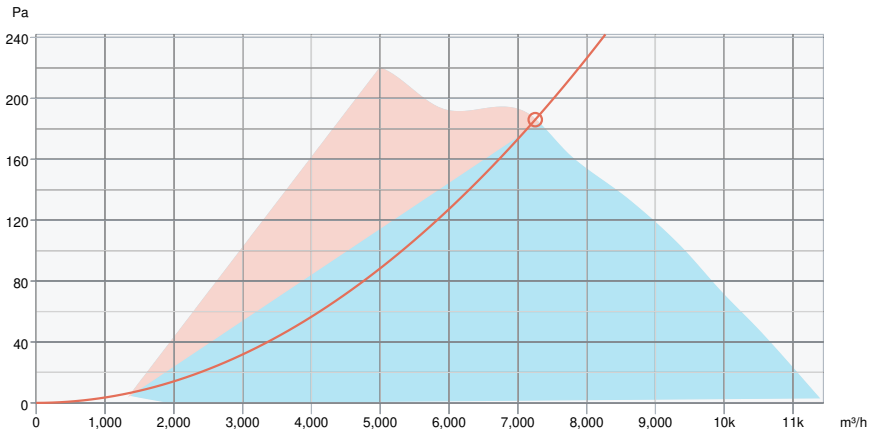
Weight	21.8	kg
--------	------	----

Others

Color name, casing	Black
Motor type	EC

Performance

Performance curve



Hydraulic data

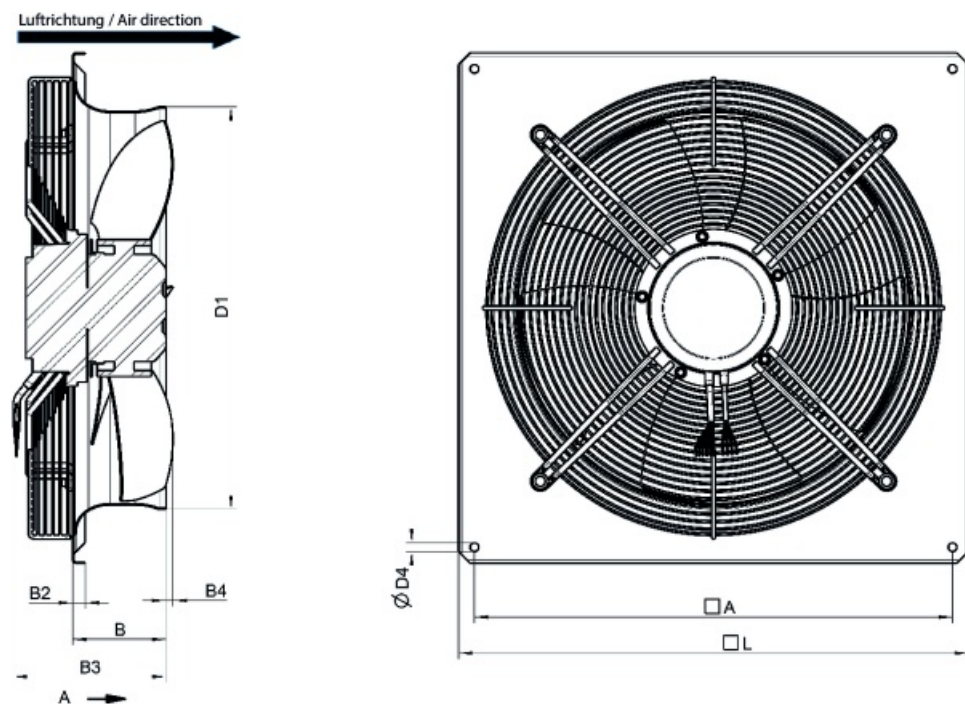
Required air flow	7,253 m³/h
Required static pressure	186 Pa
Air density	1.204 kg/m³

Ecodesign

Ecodesign 327

Manufacturer	Systemair GmbH	
Type	AW 560D EC	
Year of manufacture	See name plate of the fan	
Air flow qv	7,890	m³/h
Efficiency category	static	
Efficiency grade N	49.4	
Efficiency grade target N	40	
Speed (rpm) n	1,360	rpm
Pressure increase total psf	168	Pa
Power consumption Ped	930	W
Overall efficiency	42.9	%
Overall efficiency target	33.5	%
Variable speed drive	Yes	
Additional components	Components used to calculate the energy efficiency that are not apparent from the measurement category are detailed in the CE declaration.	
Maintenance	Information on installation, operation and maintenance is provided in the operating instructions.	
Recycling / disposal	Information on recycling and disposal is provided in the operating instructions.	

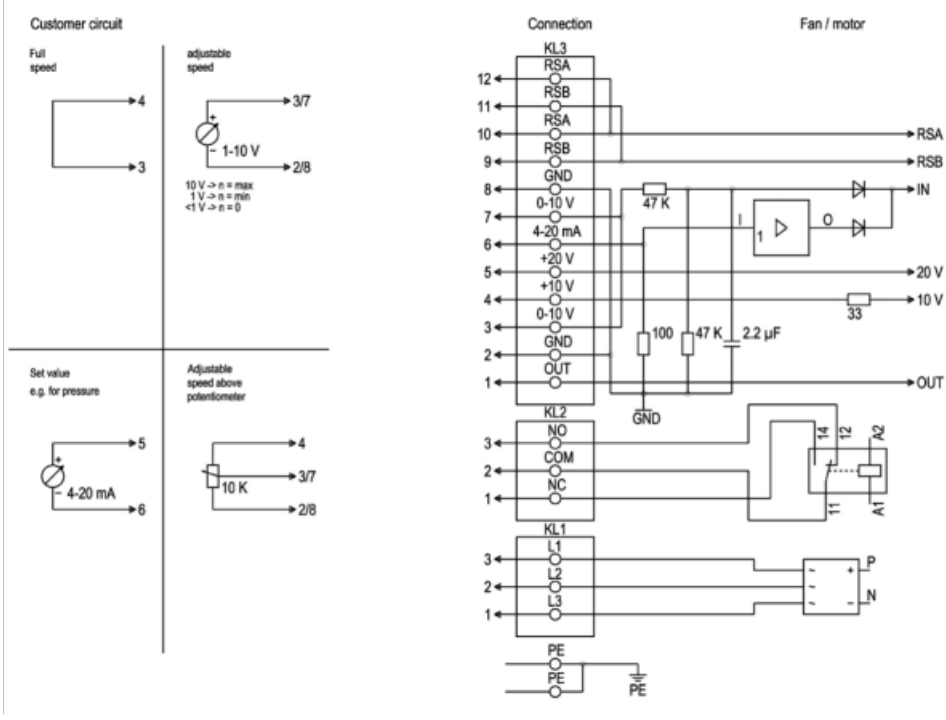
Dimension



	□A	B	B2	B3	B4	ØD1	ØD4	□L
AW 560D EC sileo	675	135	16	208	6	576	11	725

Wiring

No.	Pin	Signal	Function / assignment
PE	-	PE	Protective earth connection
KL1	1, 2, 3	L1, L2, L3	Supply voltage, 50/60 Hz
KL2	1	NC	Floating status message contact, break for failure
KL2	2	COM	Floating status message contact, changeover contact, common connection (2 A, max. 250 VAC, min. 10 mA, AC1)
KL2	3	NO	Floating status message contact, normally open, make for failure
KL3	1	OUT	Analogue output, 0-10 VDC, max. 3 mA, SELV, Output of the current motor level control coefficient: 1 V corresponds to 10% level control coefficient, 10 V correspond to 100% level control coefficient.
KL3	2, 8	GND	Reference mass for control interface, SELV
KL3	3, 7	0-10 V	Use control / actual value input 0-10 VDC, impedance 100 kΩ only as alternative to 4-20 mA input, SELV
KL3	4	+10 V	Voltage output 10 VDC (+/- 3%), max. 10 mA, Supply voltage for ext. devices (e.g. potentiometer), SELV
KL3	5	+20 V	Voltage output 20 VDC (+25%/-10%), max. 50 mA, Supply voltage for ext. devices (e.g. sensors), SELV
KL3	6	4-20 mA	Use control / actual value input 4-20 mA, impedance 100 Ω, only as alternative to 0-10 V input, SELV
KL3	9, 11	RSB	RS485 interface for MODBUS, RSB
KL3	10, 12	RSA	RS485 interface for MODBUS, RSA



Accessories

- EC-Basic-CO2 and temperature (24808)
- EC-Basic-T temperature (24805)
- EC-Vent control board (3115)
- MTP 10, 10K, Speed control (32731)
- Potentiometer MTP 20, 0-10V (310220)
- Step switch S-5EC-2, 0-10V (449084)
- AW 560D EC Axial fan (448441)
- EC-Basic-H humidity (24807)
- EC-Basic-U universal 0-10V (24806)
- EC-Vent Room Unit (3018)
- MTV-1/010 Controller 0..10V+ (30650)
- REV-5POL/05-7,5kW R/Y (35757)
- VK-63 Louvre shutter (87704)
- REV-5POL/05-7,5kW B/G (281745)

Documents

- MANUAL_AW__AR_EBM_EN_003-MIN.PDF
- DWG - 35867
- EU Declaration of Conformity_002
- installation variations_2_AR_AW.pdf