



## AW-EX Axial Fans

### Explosion proof axial wall fan

- ATEX certified
- Available with AC motors for 50 Hz
- Installation in any position

[Find more details in our online catalogue](#)

### Flexible

The AW-EX fans are **designed** for use in challenging **low pressure environments** where **explosive atmospheres** can occur. They can be installed in **any position** and in a variety of **harsh** and **hazardous** environment.

### Safety

The fans are ATEX-certified. The variants **AW-EX 355 / 420** have explosion proof marking: **II 2G Ex e IIB T4** and sizes **AW-EX 550 / 650** have explosion proof marking: **II 2G Ex e IIB T3**.

## Features

### Construction

The square wall plate is made of galvanized steel with powder coating in RAL9005.

The **complete** range is provided **with inlet protection grid**.

It is recommended to connect the electrical cable from the motor to any device via an **ATEX-certified connection box**.

### Impeller

The AW-EX fans use **axial impellers**. These are made of **galvanized steel**, are dynamically **balanced** and are paired with corresponding external rotor motors.

### Motor

AW-EX fans are equipped with **AC motors**. The motors are suitable for **50Hz**.

The AW-Ex fan motor is approved according to ATEX. Useful for Zone 1 and 2, groups IIA, IIB and temperature class T1, T2, or T3 (AW 355 and AW 420 also T4), ignition protection "e".

### Motor protection

The Motor has a prewired integral **PTC thermistor** with external leads to be connected to a **motor protection device** as **U-EK230**.

### Control

**The AC motors** can be controlled by a **5-step** regulator.

### Installation

The AW fans can be installed in **any position** on **wall** or **ceiling** in **indoor** environments.

## Technical parameters

### Nominal data

Voltage (nominal)	400	V
Frequency	50	Hz
Phases	3~	
Input power	297	W
Input power kW	0.297	kW
Input current	0.615	A
Impeller speed	1,396	rpm
Air flow	max 4,662	m³/h
Temperature of transported air	max 40	°C
Max temperature of transported air, when speed controlled	40	°C

### Sound data

Sound pressure level at 3m (20m² Sabin)	69	dB(A)
---	----	-------

### Protection/Classification

Enclosure class, motor	IP44
Insulation class	F
Explosion proof marking	II 2G c Ex e IIB T4
Certificate	ZELM 05ATEX0279X

### Data according to ErP

ErP ready	Not ErP relevant
-----------	------------------

### Ambient and duct temperature

Ambient and duct temperature	-20 to 40	°C
------------------------------	-----------	----

### Dimensions and weights

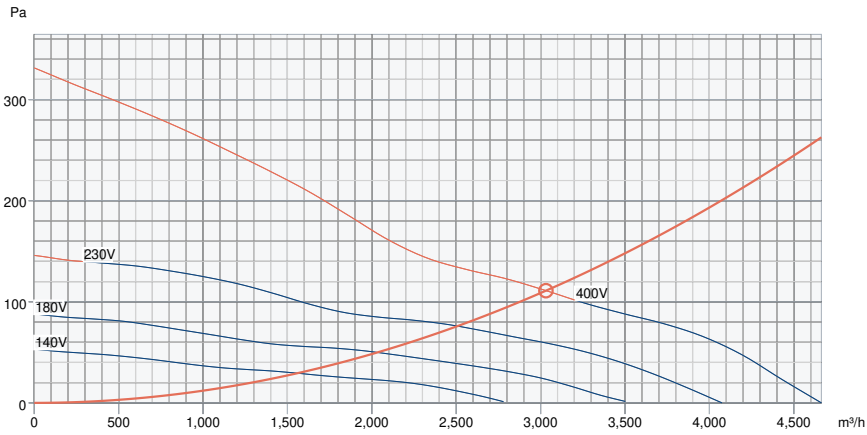
Weight	11.8	kg
--------	------	----

### Others

Motor type	AC
------------	----

Performance

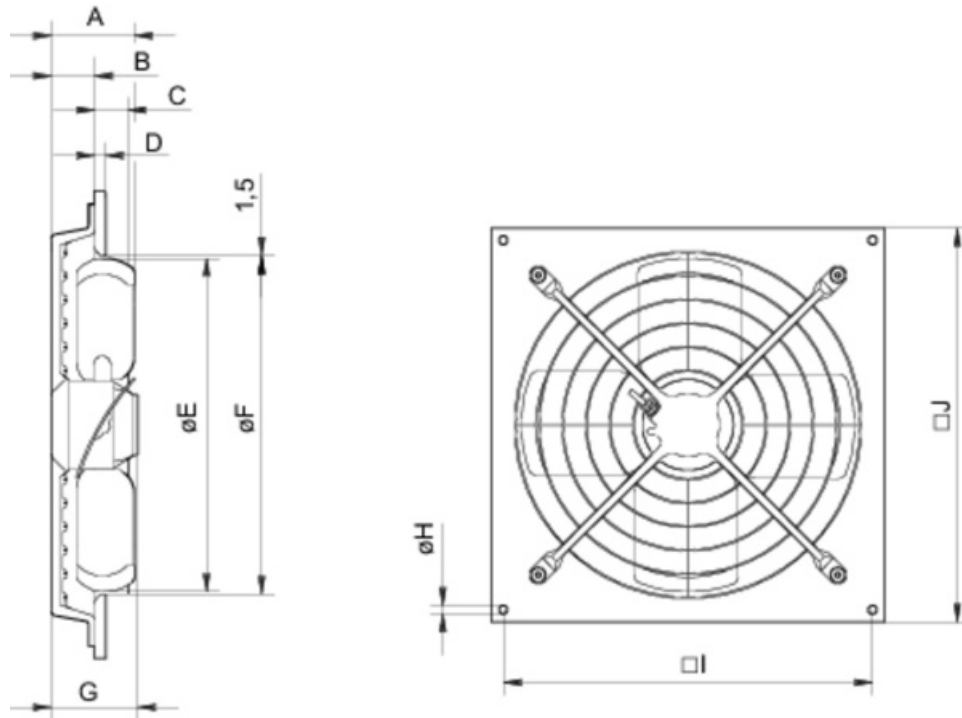
Performance curve



Hydraulic data

Required air flow	3,031 m³/h
Required static pressure	111 Pa
Air density	1.204 kg/m³

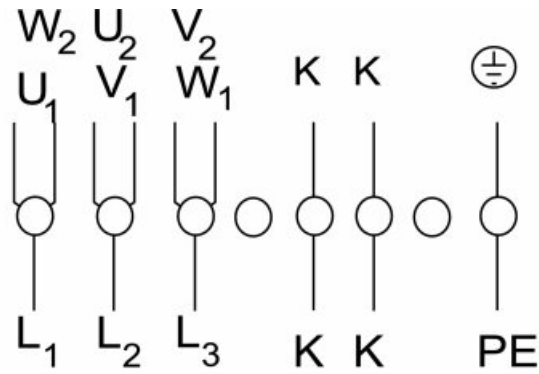
Dimension



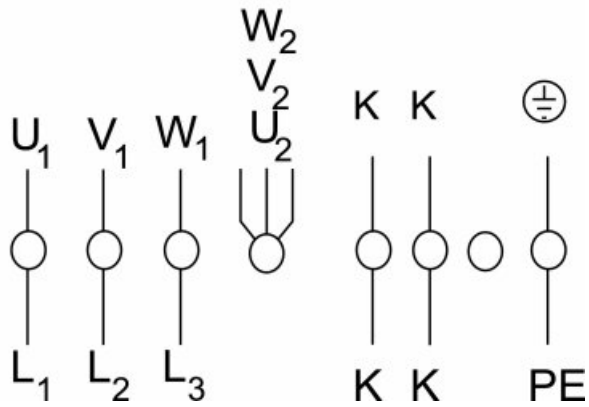
	A	B	C	D	$\varnothing E$	$\varnothing F$	G	$\varnothing H$	I	J
AW 420 EX	138	71	70	16	419	426	125	14,5	460	503

## Wiring

### Delta connection



### Star connection



U1	brown
V1	blue
W1	black
U2	red
V2	grey
W2	orange
K	white
PE	green/yellow

Test-voltage on temperature sensor max. 2,5V.

## Accessories

- REV-5POL/07-7,5kW R/Y (33980)
- RTRD 2 Speed Cont. Systemair (5941)
- REV-3POL/ATEX-11kW R/Y (36414)
- REV-5POL/07-7,5kW B/G (281742)
- REV-9POL/12-7,5kW R/Y (33981)
- U-EK230E Motor protection (30199)
- Ex e-Terminal box 1,5/6mm<sup>2</sup> 32A (2704)
- REV-9POL/12-7,5kW B/G (281743)

## Documents

- imo\_fans\_atex\_en\_008
- 1.SUPP\_ZELM 05 ATEX 0279X\_EN.PDF
- Zelm\_05\_ATEX0279.pdf
- EU\_DECLARATION\_OF\_CONFORMITY\_ALL\_009\_314830.PDF