

## AW Axial Fans

### Low pressure axial wall fans up to 39.000 m<sup>3</sup>/h

- Available with AC and EC motors for 50 and 60Hz
- Installation in any position
- Noise and energy optimized impeller

[Find more details in our online catalogue](#)



### Flexible

The AW fans are **designed** for extracting air in **low pressure systems**. They can be installed in any position and way according to your demands.

This ensures that the fans can be used in a variety of **commercial** and **industrial** applications.

### Performance

The **noise optimized** axial impellers together with the **high efficient** external rotor motors are designed to ensure high-level performance to **minimize power consumption** and **maximize efficiency**.

## Features

### Construction

The square wall plate is made of galvanized steel with powder coating in RAL9005.

The range with **AC motors**, sizes **200-630** are provided **with inlet protection grid** and sizes **710-1000 without inlet protection grid**.

The **complete** range with **EC motors** is provided **with inlet protection grid**.

Depending on the type, the fans are equipped with an external **terminal box**, protection class **IP44, IP54 or IP55**.

### Impeller

The AW fans use **axial impellers**. These are made of **coated steel**, **composite** material or **aluminum**, are dynamically **balanced** and are paired with corresponding external rotor motors.

### Motor

Depending on type, AW fans are equipped with an **AC** or **EC external rotor motor**. The motors are suitable for **50Hz** and **60Hz**.

### Motor protection

Sizes **200-300** with **AC** motors are available with **integrated** thermal protection with manual (electrical) reset.

Sizes **200-1000** with **AC** motors are available with prewired integral **thermal contact** with leads to a **motor protection device**.

Models with **EC** motors have an **integrated** electronic, **thermal protection** including **locked-rotor protection** and **soft-start**.

### Control

**EC motors** can be controlled by an external **signal of 0-10V**.

**EC motors depending on size** are also equipped with **ModBus** communication or **alarm signal**.

**AC motors** can be controlled by **5-step**, **stepless** speed regulator or **frequency inverter**.

### Installation

The AW fans can be installed in **any position** on **wall** or **ceiling** in **indoor** environments.

## Technical parameters

### Nominal data

Voltage (nominal)	400	V
Frequency	50	Hz
Phases	3~	
Motor circuit connection	D; Y	
Input power	110	W
Input power kW	0.11	kW
Input current	0.28	A
Impeller speed	1,365	rpm
Air flow	max 2,390	m³/h
Temperature of transported air	max 60	°C
Max temperature of transported air, when speed controlled	60	°C

### Protection/Classification

Enclosure class, motor	IP44
Insulation class	F

### Data according to ErP

ErP ready	Not ErP relevant
-----------	------------------

### Dimensions and weights

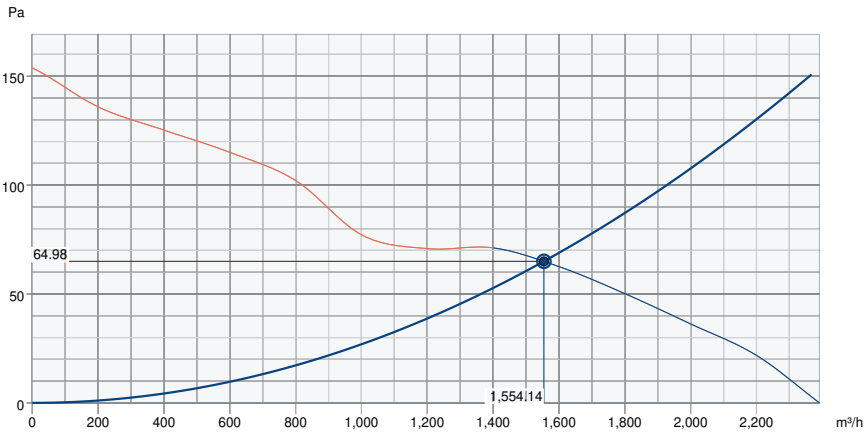
Weight	5.3	kg
--------	-----	----

### Others

Motor type	AC
------------	----

Performance

Performance curve

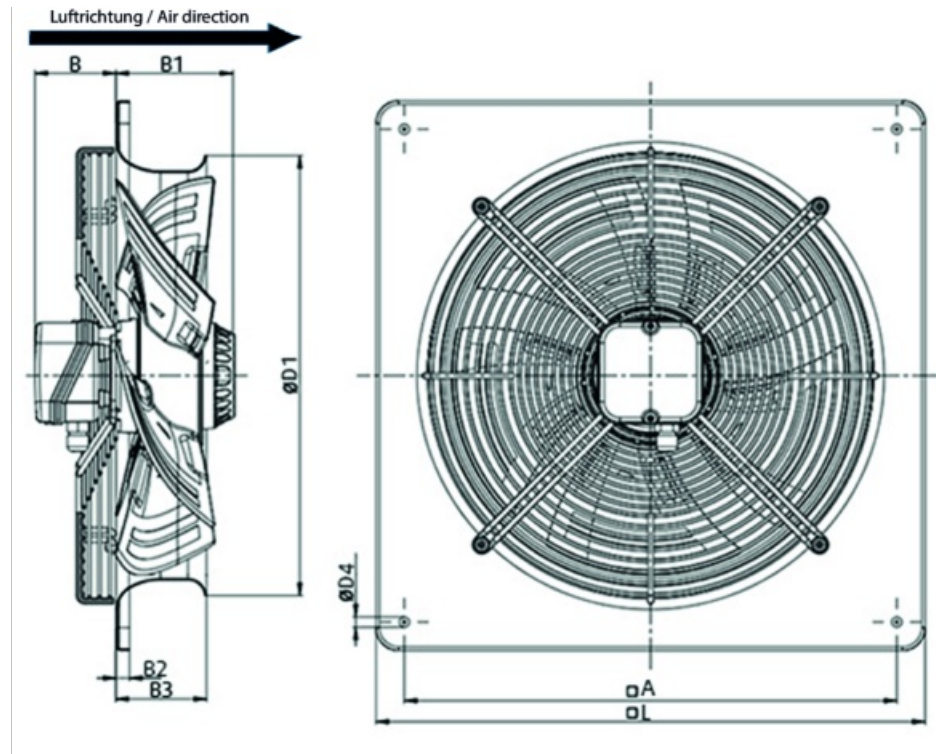


Hydraulic data

Required air flow	1,554 m³/h
Required static pressure	65 Pa
Working air flow	1,554 m³/h
Working static pressure	65 Pa
Air density	1.204 kg/m³
Power	110.7 W
Fan control - RPM	1,367 rpm
Current	0.30 A
SFP	0.256 kW/m³/s
Control voltage	400.0 V
Supply voltage	400 V

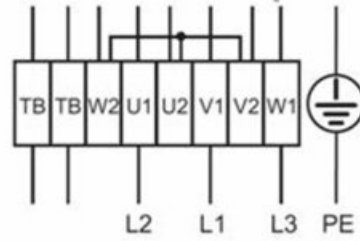
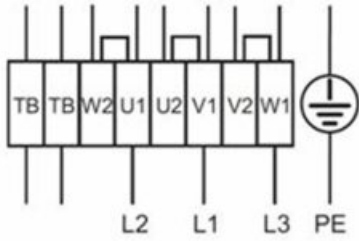
Sound power level		63	125	250	500	1k	2k	4k	8k	Total
Inlet	dB(A)	42	44	46	48	51	50	45	36	56
Outlet	dB(A)	43	45	47	50	52	51	47	38	57

## Dimension



	B	B1	$\varnothing D1$	B2	B3	$\square A$	$\square L$	$\varnothing D4$
AW 315DV sileo	79	83	345	11	73	380	430	9

## Wiring



High speed

Low Speed

Δ-Connection

Y-Connection

## Accessories

- AWE-SK Motorprotection 2A/230V (5138)
- Frequency converter FRQS-4A (36231)
- Motor protect. switch S-DT 16E (161207)
- RTRD 2 Speed Cont. Systemair (5941)
- Step switch S-DT2SKT, Y/D (2697)
- VK-35 Louvre shutter (87689)
- Frequency converter FRQ5S-4A (36233)
- Motor protect. switch S-DT 16 (161206)
- REV-5POL/07-7,5kW R/Y (33980)
- RTRDU 2 Speed contr. Systemair (5945)
- VK-30 Louvre shutter (5641)
- REV-5POL/07-7,5kW B/G (281742)

## Documents

- MANUAL\_AW\_\_AR\_EBM\_EN\_003-MIN.PDF
- DWG - 37408
- EU Declaration of Conformity\_002
- installation variations\_2\_AR\_AW.pdf