

## AW Axial Fans

### Low pressure axial wall fans up to 39.000 m<sup>3</sup>/h

- Available with AC and EC motors for 50 and 60Hz
- Installation in any position
- Noise and energy optimized impeller

[Find more details in our online catalogue](#)



### Flexible

The AW fans are **designed** for extracting air in **low pressure systems**. They can be installed in any position and way according to your demands.

This ensures that the fans can be used in a variety of **commercial** and **industrial** applications.

### Performance

The **noise optimized** axial impellers together with the **high efficient** external rotor motors are designed to ensure high-level performance to **minimize power consumption** and **maximize efficiency**.

## Features

### Construction

The square wall plate is made of galvanized steel with powder coating in RAL9005.

The range with **AC motors**, sizes **200-630** are provided **with inlet protection grid** and sizes **710-1000 without inlet protection grid**.

The **complete** range with **EC motors** is provided **with inlet protection grid**.

Depending on the type, the fans are equipped with an external **terminal box**, protection class **IP44, IP54 or IP55**.

### Impeller

The AW fans use **axial impellers**. These are made of **coated steel**, **composite** material or **aluminum**, are dynamically **balanced** and are paired with corresponding external rotor motors.

### Motor

Depending on type, AW fans are equipped with an **AC** or **EC external rotor motor**. The motors are suitable for **50Hz** and **60Hz**.

### Motor protection

Sizes **200-300** with **AC** motors are available with **integrated** thermal protection with manual (electrical) reset.

Sizes **200-1000** with **AC** motors are available with prewired integral **thermal contact** with leads to a **motor protection device**.

Models with **EC** motors have an **integrated** electronic, **thermal protection** including **locked-rotor protection** and **soft-start**.

### Control

**EC motors** can be controlled by an external **signal of 0-10V**.

**EC motors depending on size** are also equipped with **ModBus** communication or **alarm signal**.

**AC motors** can be controlled by **5-step, stepless** speed regulator or **frequency inverter**.

### Installation

The AW fans can be installed in **any position** on **wall** or **ceiling** in **indoor** environments.

## Technical parameters

### Nominal data

Voltage (nominal)	230	V
Frequency	50	Hz
Phases	1~	
Input power	53	W
Input power kW	0.053	kW
Input current	0.25	A
Impeller speed	1,399	rpm
Air flow	max 827	m³/h
Capacitance of capacitor	2	µF
Temperature of transported air	max 80	°C
Max temperature of transported air, when speed controlled	80	°C

### Protection/Classification

Enclosure class, motor	IP54
Insulation class	F

### Data according to ErP

ErP ready	Not ErP relevant
-----------	------------------

### Dimensions and weights

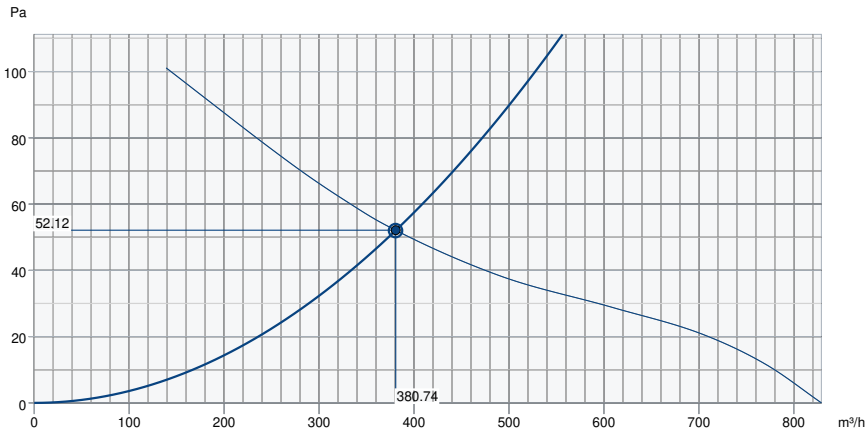
Weight	3.5	kg
--------	-----	----

### Others

Motor type	AC
------------	----

## Performance

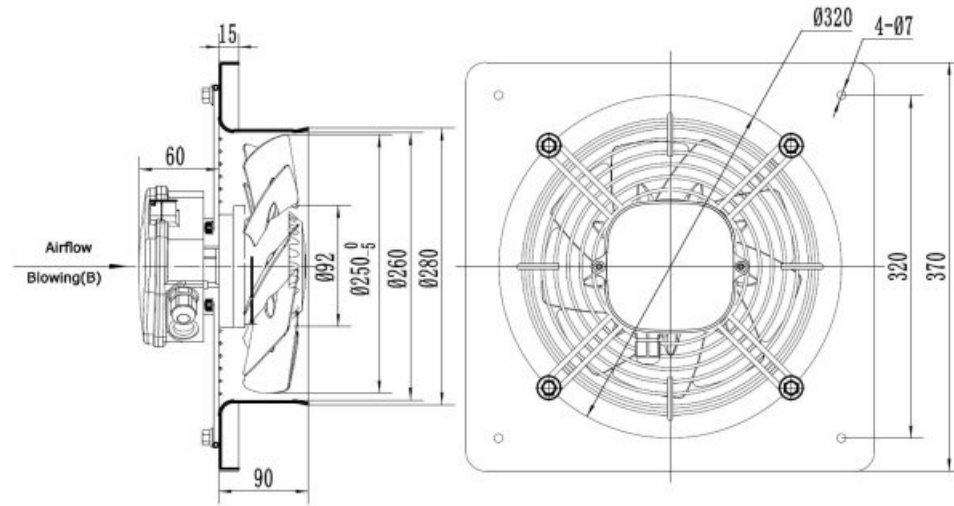
### Performance curve



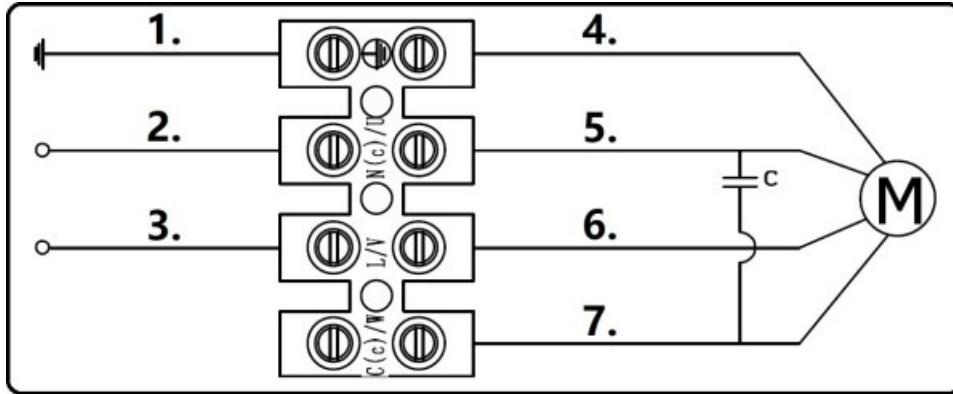
#### Hydraulic data

Required air flow	381 m³/h
Required static pressure	52 Pa
Working air flow	381 m³/h
Working static pressure	52 Pa
Air density	1.204 kg/m³
Power	49.3 W
Fan control - RPM	1,432 rpm
Current	0.20 A
SFP	0.467 kW/m³/s
Supply voltage	230 V

Dimension



## Wiring



1. = PE Yellow / Green

2. = N

3. = L

4. = PE Yellow / Green

5. = N Black

6. = L Brown

7. = Z Blue

## Accessories

- REE 1 Speed control (5314)
- REV-5POL/05-7,5kW R/Y (33979)
- VK-25 Louvre shutter (5640)
- REU 1.5 Speed control (5004)
- RTRE 1,5 Speed control (5008)
- VK-30 Louvre shutter (87688)

## Documents

- Manual Axial fan AW-C\_en\_003.pdf
- EU Declaration of Conformity\_en\_001.pdf