

AW Axial Fans

Low pressure axial wall fans up to 39.000 m³/h

- Available with AC and EC motors for 50 and 60Hz
- Installation in any position
- Noise and energy optimized impeller

[Find more details in our online catalogue](#)



Flexible

The AW fans are **designed** for extracting air in **low pressure systems**. They can be installed in any position and way according to your demands.

This ensures that the fans can be used in a variety of **commercial** and **industrial** applications.

Performance

The **noise optimized** axial impellers together with the **high efficient** external rotor motors are designed to ensure high-level performance to **minimize power consumption** and **maximize efficiency**.

Features

Construction

The square wall plate is made of galvanized steel with powder coating in RAL9005.

The range with **AC motors**, sizes **200-630** are provided **with inlet protection grid** and sizes **710-1000 without inlet protection grid**.

The **complete** range with **EC motors** is provided **with inlet protection grid**.

Depending on the type, the fans are equipped with an external **terminal box**, protection class **IP44, IP54 or IP55**.

Impeller

The AW fans use **axial impellers**. These are made of **coated steel**, **composite** material or **aluminum**, are dynamically **balanced** and are paired with corresponding external rotor motors.

Motor

Depending on type, AW fans are equipped with an **AC** or **EC external rotor motor**. The motors are suitable for **50Hz** and **60Hz**.

Motor protection

Sizes **200-300** with **AC** motors are available with **integrated** thermal protection with manual (electrical) reset.

Sizes **200-1000** with **AC** motors are available with prewired integral **thermal contact** with leads to a **motor protection device**.

Models with **EC** motors have an **integrated** electronic, **thermal protection** including **locked-rotor protection** and **soft-start**.

Control

EC motors can be controlled by an external **signal of 0-10V**.

EC motors depending on size are also equipped with **ModBus** communication or **alarm signal**.

AC motors can be controlled by **5-step**, **stepless** speed regulator or **frequency inverter**.

Installation

The AW fans can be installed in **any position** on **wall** or **ceiling** in **indoor** environments.

Technical parameters

Nominal data

| | | |
|-----------------------------------------------------------|---------|------|
| Voltage (nominal) | 230 | V |
| Frequency | 50 | Hz |
| Phases | 1~ | |
| Input power | 57 | W |
| Input power kW | 0.057 | kW |
| Input current | 0.26 | A |
| Impeller speed | 2,414 | rpm |
| Air flow | max 778 | m³/h |
| Capacitance of capacitor | 2 | µF |
| Temperature of transported air | max 80 | °C |
| Max temperature of transported air, when speed controlled | 80 | °C |

Protection/Classification

| | |
|------------------------|------|
| Enclosure class, motor | IP54 |
| Insulation class | F |

Data according to ErP

| | |
|-----------|------------------|
| ErP ready | Not ErP relevant |
|-----------|------------------|

Dimensions and weights

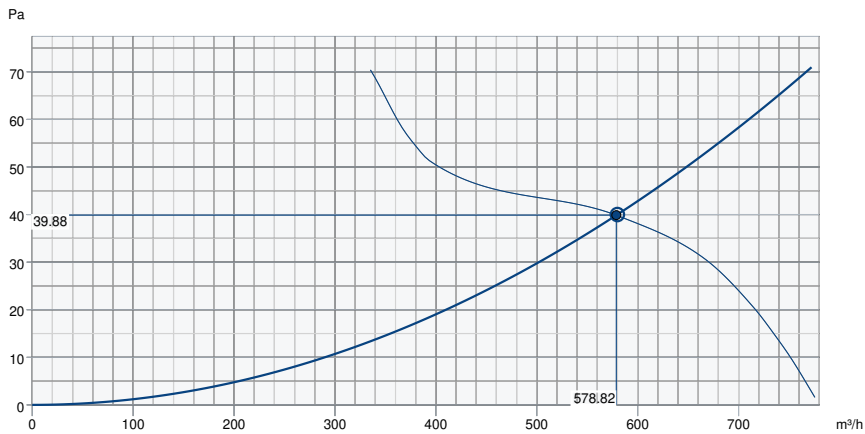
| | | |
|--------|---|----|
| Weight | 3 | kg |
|--------|---|----|

Others

| | |
|------------|----|
| Motor type | AC |
|------------|----|

Performance

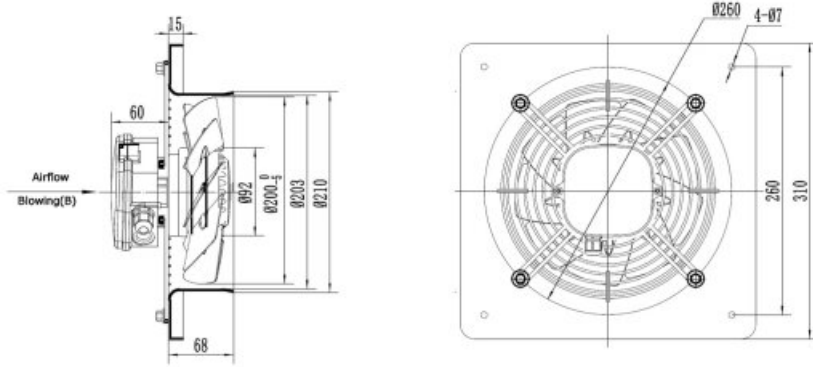
Performance curve



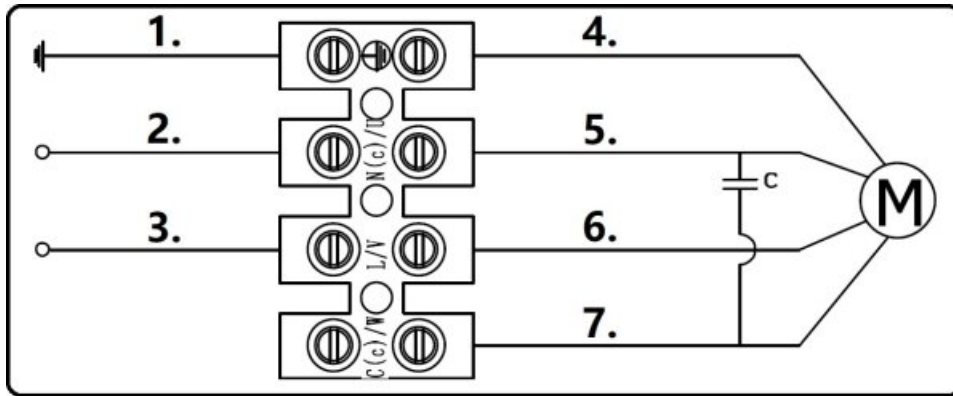
Hydraulic data

| | |
|--------------------------|----------------------------|
| Required air flow | 580 m ³ /h |
| Required static pressure | 40 Pa |
| Working air flow | 579 m ³ /h |
| Working static pressure | 40 Pa |
| Air density | 1.204 kg/m ³ |
| Power | 53.3 W |
| Fan control - RPM | 2,566 rpm |
| Current | 0.20 A |
| SFP | 0.332 kW/m ³ /s |
| Supply voltage | 230 V |

Dimension



Wiring



1. = PE Yellow / Green

2. = N

3. = L

4. = PE Yellow / Green

5. = N Black

6. = L Brown

7. = Z Blue

Accessories

- REE 1 Speed control (5314)
- REV-5POL/05-7,5kW R/Y (33979)
- VK-20 Louvre shutter (87686)
- REU 1.5 Speed control (5004)
- RTRE 1,5 Speed control (5008)

Documents

- Manual Axial fan AW-C_en_003.pdf
- EU Declaration of Conformity_en_001.pdf