

AR Axial Fans

Low pressure axial duct fan

- Available with AC motors for 50 and 60Hz
- Installation in any position
- Noise and energy optimized impeller

[Find more details in our online catalogue](#)



Flexible

The AR fans are **designed** for extracting air in **low pressure systems**. They can be installed in any position and way according to your demands.

This ensures that the fans can be used in a variety of **commercial** and **industrial** applications.

Performance

The **noise optimized** axial impellers together with the **high efficient** external rotor motors are designed to ensure high-level performance to **minimize power consumption** and **maximize efficiency**.

Features

Construction

The round casing is made of galvanized steel with powder coating in RAL9005.

The **complete** range is provided **with inlet protection grid**. An **outlet protection grid** is **available as accessory**.

Depending on type, the fans are equipped with an external **terminal box**, protection class **IP44** or **IP54**.

Impeller

The AR fans use **axial impellers**. These are made of **coated steel**, **composite** material or **aluminum**, are dynamically **balanced** and are paired with corresponding external rotor motors.

Motor

AR fans are equipped with an **AC external rotor motor**. The motors are suitable for **50Hz** and **60Hz**.

Motor protection

The **AC** motors are equipped with prewired integral **thermal contact** with leads to be connected to a **motor protection unit**.

Control

The **AC motor** can be controlled by **5-step**, **stepless** speed regulator or **frequency inverter**.

Installation

The AR fans can be installed in **any position** in the **duct** in **indoor** environments.

Technical parameters

Nominal data

Voltage (nominal)	400	V
Frequency	50	Hz
Phases	3~	
Motor circuit connection	D	
Input power	620	W
Input power kW	0.62	kW
Input current	1.25	A
Impeller speed	900	rpm
Air flow	max 11,214	m³/h
Air flow at max. efficiency	7,164	m³/h
Specific ratio	1	
Temperature of transported air	max 70	°C
Max temperature of transported air, when speed controlled	70	°C

Protection/Classification

Enclosure class, motor	IP54
Insulation class	F

Data according to ErP

ErP ready	ErP 2018
Measurement category	A
Efficiency grade	41.6 η_{actual}
Efficiency, static	33.8 η_{statA}
Target efficiency grade ErP2013	36 $\eta_{target2013}$
Target efficiency grade ErP2015	40 $\eta_{target2015}$

Dimensions and weights

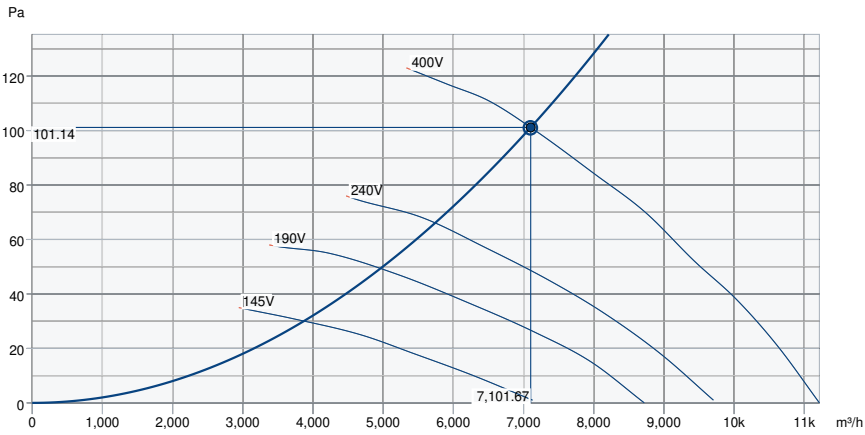
Duct dimension; Circular, inlet	630	mm
Duct dimension; Circular, outlet	630	mm
Weight	24.5	kg

Others

Duct connection type	Circular
Color name, casing	Black
Motor type	AC

Performance

Performance curve



Hydraulic data

Required air flow	7,097 m³/h
Required static pressure	101 Pa
Working air flow	7,102 m³/h
Working static pressure	101 Pa
Air density	1.204 kg/m³
Power	604.5 W
Fan control - RPM	908 rpm
Current	1.21 A
SFP	0.306 kW/m³/s
Control voltage	400.0 V
Supply voltage	400 V

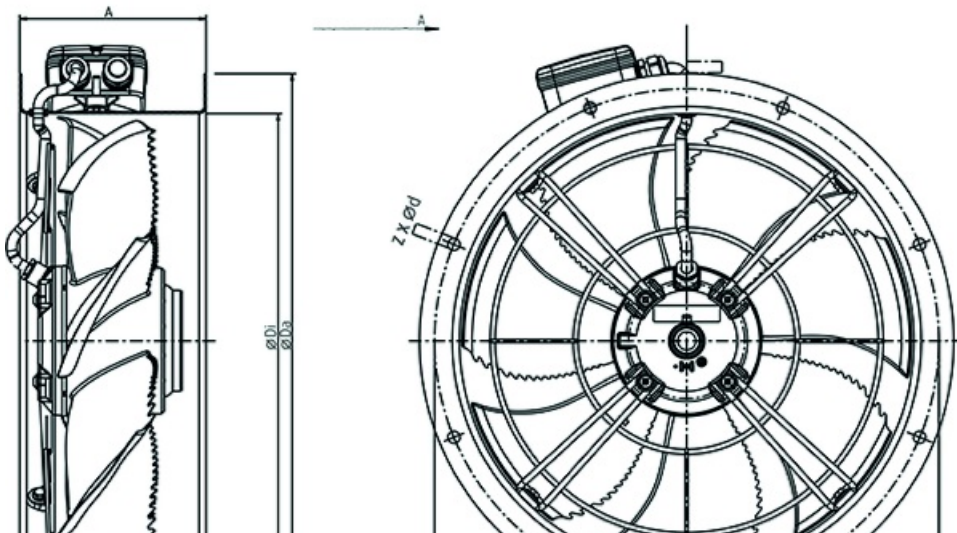
Sound power level		63	125	250	500	1k	2k	4k	8k	Total
Inlet	dB(A)	48	55	57	62	67	66	60	53	71
Outlet	dB(A)	48	55	57	63	67	65	60	52	71

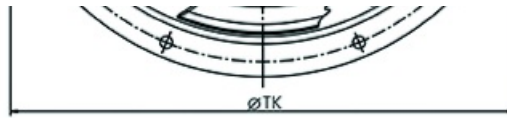
Ecodesign

Ecodesign 327

Manufacturer	Systemair GmbH
Type	AR 630DS
Year of manufacture	See name plate of the fan
Air flow q_v	7,166 m ³ /h
Efficiency category	static
Efficiency grade N	41.6
Efficiency grade target N	40
Speed (rpm) n	908 rpm
Pressure increase total psf	100 Pa
Power consumption P_{ed}	600 W
Overall efficiency	33.8 %
Variable speed drive	No
Additional components	Components used to calculate the energy efficiency that are not apparent from the measurement category are detailed in the CE declaration.
Maintenance	Information on installation, operation and maintenance is provided in the operating instructions.
Recycling / disposal	Information on recycling and disposal is provided in the operating instructions.

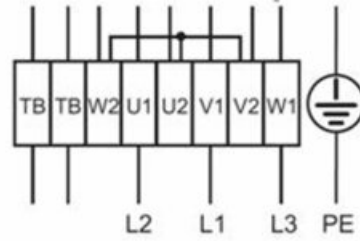
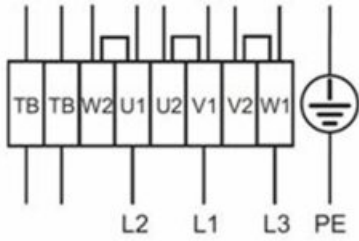
Dimension





	A	ØDi	ØDa	ØTK	z x Ød
AR 630 sileo	235	634	720	690	12 x Ø11,5

Wiring



Accessories

- AWE-SK Motorprotection 2A/230V (5138)
- Frequency converter FRQ5S-4A (36233)
- Frequency converter FXDM5AM (31387)
- MFA-AXC/AM 630 mounting foot (311289)
- Motor protect. switch S-DT 16E (161207)
- RTRD 2 Speed Cont. Systemair (5941)
- SG AXC/AM/AR 630 guard grill (310691)
- VK-63 Louvre shutter (87704)
- SG-20 AXC630 protection grill (254258)
- EV-AR/AXC 630 flex.conn. 70°C (8358)
- Frequency converter FRQS-4A (36231)
- GFL-AR/AXC 630 counter flange (8382)
- Motor protect. switch S-DT 16 (161206)
- REV-5POL/07-7,5kW R/Y (33980)
- RTRDU 2 Speed contr. Systemair (5945)
- Step switch S-DT2SKT, Y/D (2697)
- REV-5POL/07-7,5kW B/G (281742)

Documents

- L-BAL-001-SYSTEMAIR.PDF
- EU Declaration of Conformity_002
- installation variations_1_AR_AW.pdf