

## AR Axial Fans

### Low pressure axial duct fan

- Available with AC motors for 50 and 60Hz
- Installation in any position
- Noise and energy optimized impeller

[Find more details in our online catalogue](#)



#### Flexible

The AR fans are **designed** for extracting air in **low pressure systems**. They can be installed in any position and way according to your demands.

This ensures that the fans can be used in a variety of **commercial** and **industrial** applications.

#### Performance

The **noise optimized** axial impellers together with the **high efficient** external rotor motors are designed to ensure high-level performance to **minimize power consumption** and **maximize efficiency**.

### Features

#### Construction

The round casing is made of galvanized steel with powder coating in RAL9005.

The **complete** range is provided **with inlet protection grid**. An **outlet protection grid** is **available as accessory**.

Depending on type, the fans are equipped with an external **terminal box**, protection class **IP44** or **IP54**.

#### Impeller

The AR fans use **axial impellers**. These are made of **coated steel**, **composite** material or **aluminum**, are dynamically **balanced** and are paired with corresponding external rotor motors.

#### Motor

AR fans are equipped with an **AC external rotor motor**. The motors are suitable for **50Hz** and **60Hz**.

#### Motor protection

The **AC** motors are equipped with prewired integral **thermal contact** with leads to be connected to a **motor protection unit**.

#### Control

The **AC motor** can be controlled by **5-step**, **stepless** speed regulator or **frequency inverter**.

#### Installation

The AR fans can be installed in **any position** in the **duct** in **indoor** environments.

## Technical parameters

### Nominal data

Voltage (nominal)	230	V
Frequency	50	Hz
Phases	1~	
Input power	130	W
Input power kW	0.13	kW
Input current	0.56	A
Impeller speed	1,070	rpm
Air flow	2,860 to 2,860	m³/h
Capacitance of capacitor	5	µF
Temperature of transported air	60 to 60	°C
Max temperature of transported air, when speed controlled	60	°C

### Protection/Classification

Enclosure class, motor	IP44
Insulation class	F

### Data according to ErP

ErP ready	Not ErP relevant
-----------	------------------

### Dimensions and weights

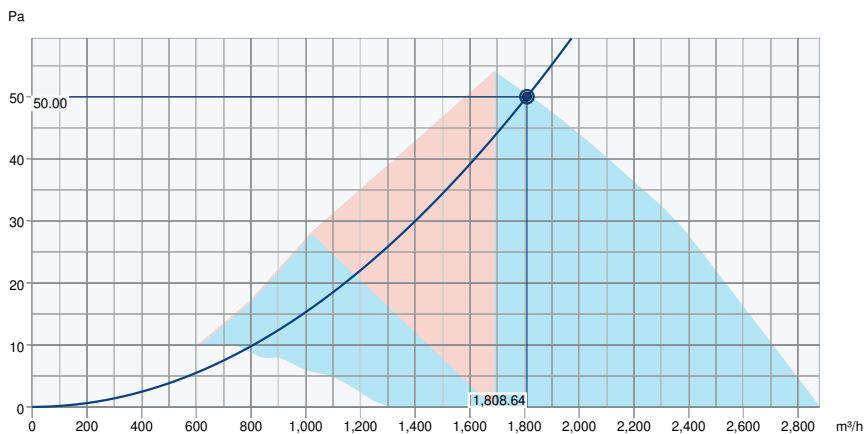
Duct dimension; Circular, inlet	350	mm
Duct dimension; Circular, inlet	350	mm
Duct dimension; Circular, outlet	350	mm
Duct dimension; Circular, outlet	350	mm
Weight	7	kg

### Others

Duct connection type	Circular
Color name, casing	Black

Performance

Performance curve

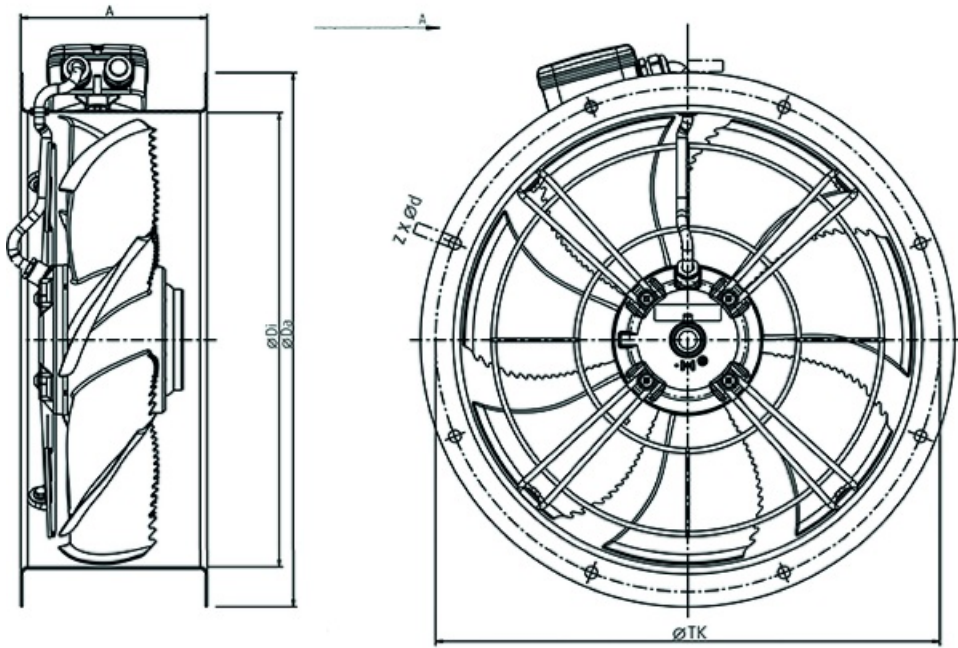


Hydraulic data

Required air flow	1,809 m³/h
Required static pressure	50 Pa
Working air flow	1,809 m³/h
Working static pressure	50 Pa
Air density	1.204 kg/m³
Power	123.7 W
Fan control - RPM	1,076 rpm
Current	0.60 A
SFP	0.246 kW/m³/s
Control voltage	229.3 V
Supply voltage	229 V

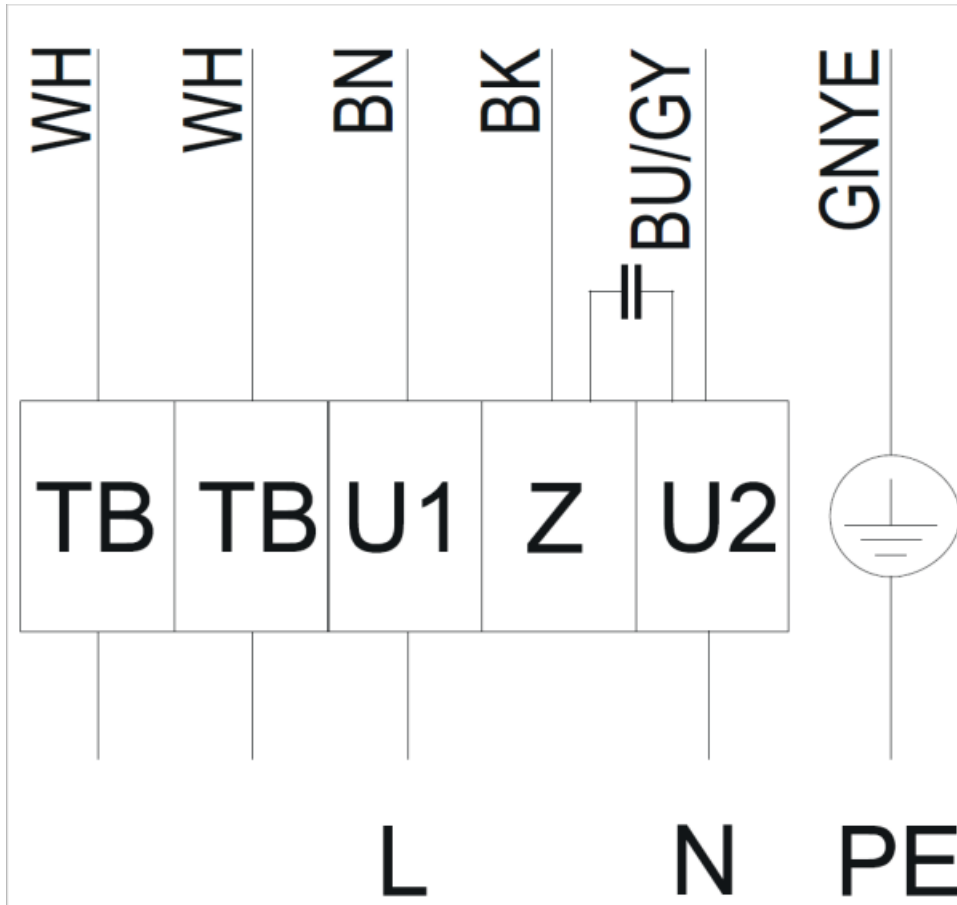
Sound power level		63	125	250	500	1k	2k	4k	8k	Total
Inlet	dB(A)	<10	28	38	45	49	55	47	36	57
Outlet	dB(A)	<10	30	39	46	50	57	49	37	59

Dimension



	A	ØDi	ØDa	ØTK	z x Ød
AR 350 sileo	135	359	421	395	8 x Ø10

## Wiring



WH = White

BN = Brown

BK = Black

BU/GY = Blue or Grey

GNYE = Green-Yellow

## Accessories

- AWE-SK Motorprotection 2A/230V (5138)
- Frequency converter FRQ5SE-6A (37421)
- MFA-AXC/AM 355 mounting foot (311284)
- REE 1 Speed control (5314)
- REV-5POL/05-7,5kW R/Y (33979)
- Frequency converter FRQSE-6A (37419)
- SG-20 AXC355 protection grill (254253)
- EV-AR/AXC 355 flex.conn. 70°C (8353)
- GFL-AR/AXC 355 counter flange (8377)
- Motor protect. switch S-ET 10 (161199)
- REU 1.5 Speed control (5004)
- RTRE 1,5 Speed control (5008)
- VK-35 Louvre shutter (87689)

## Documents

- L-BAL-001-SYSTEMAIR.PDF
- EU Declaration of Conformity\_002
- installation variations\_1\_AR\_AW.pdf