

AR Axial Fans

Low pressure axial duct fan

- Available with AC motors for 50 and 60Hz
- Installation in any position
- Noise and energy optimized impeller

[Find more details in our online catalogue](#)



Flexible

The AR fans are **designed** for extracting air in **low pressure systems**. They can be installed in any position and way according to your demands.

This ensures that the fans can be used in a variety of **commercial** and **industrial** applications.

Performance

The **noise optimized** axial impellers together with the **high efficient** external rotor motors are designed to ensure high-level performance to **minimize power consumption** and **maximize efficiency**.

Features

Construction

The round casing is made of galvanized steel with powder coating in RAL9005.

The **complete** range is provided **with inlet protection grid**. An **outlet protection grid** is **available as accessory**.

Depending on type, the fans are equipped with an external **terminal box**, protection class **IP44** or **IP54**.

Impeller

The AR fans use **axial impellers**. These are made of **coated steel**, **composite** material or **aluminum**, are dynamically **balanced** and are paired with corresponding external rotor motors.

Motor

AR fans are equipped with an **AC external rotor motor**. The motors are suitable for **50Hz** and **60Hz**.

Motor protection

The **AC** motors are equipped with prewired integral **thermal contact** with leads to be connected to a **motor protection unit**.

Control

The **AC motor** can be controlled by **5-step**, **stepless** speed regulator or **frequency inverter**.

Installation

The AR fans can be installed in **any position** in the **duct** in **indoor** environments.

Technical parameters

Nominal data

Voltage (nominal)	230	V
Frequency	50	Hz
Phases	1~	
Motor circuit connection	D	
Input power	50	W
Input power kW	0.05	kW
Input current	0.217	A
Impeller speed	1,263	rpm
Air flow	max 1,015	m³/h
Capacitance of capacitor	1.5	µF
Temperature of transported air	max 40	°C
Max temperature of transported air, when speed controlled	40	°C

Protection/Classification

Enclosure class, motor	IP44
Insulation class	B

Data according to ErP

ErP ready	Not ErP relevant
-----------	------------------

Dimensions and weights

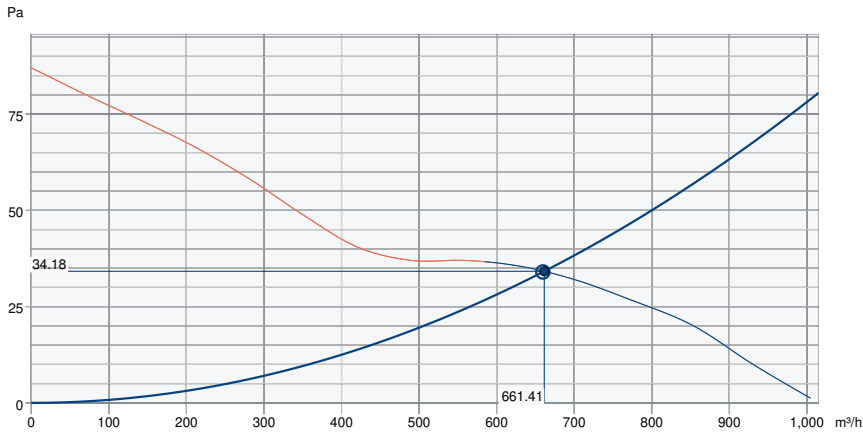
Duct dimension; Circular, inlet	250	mm
Duct dimension; Circular, outlet	250	mm
Weight	4	kg

Others

Duct connection type	Circular
Color name, casing	Black
Motor type	AC

Performance

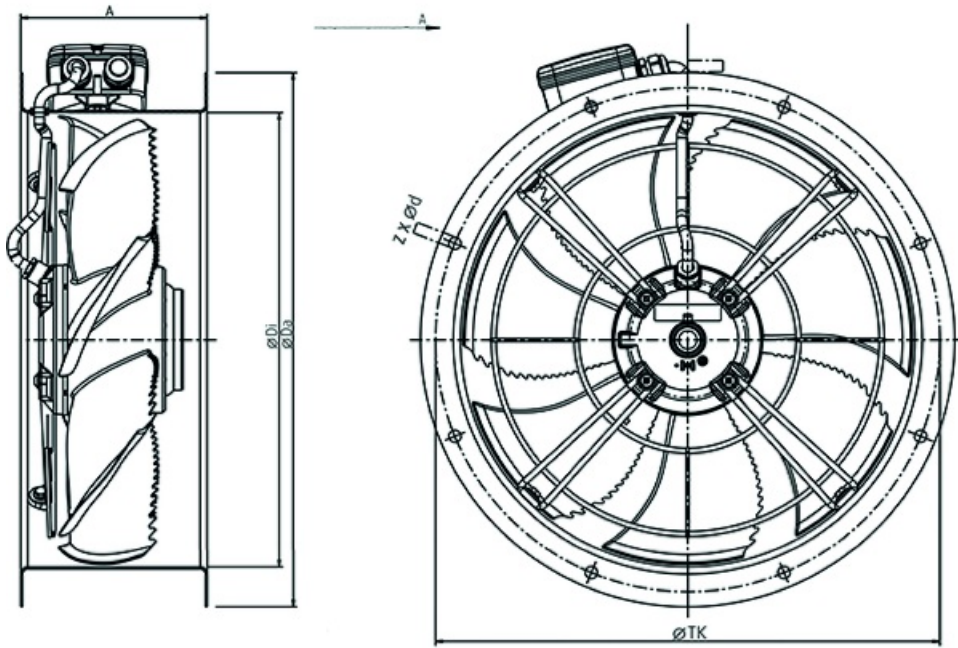
Performance curve



Hydraulic data

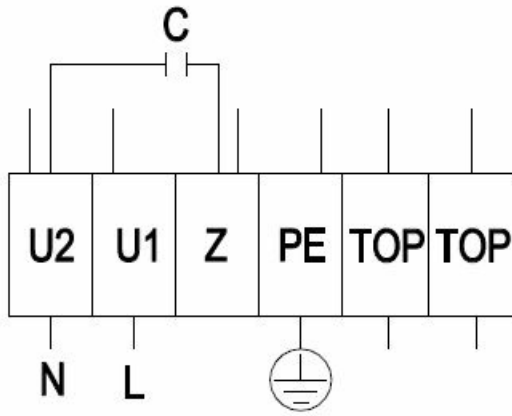
Required air flow	660 m³/h
Required static pressure	34 Pa
Working air flow	661 m³/h
Working static pressure	34 Pa
Air density	1.204 kg/m³
Power	44.6 W
Fan control - RPM	1,362 rpm
Current	0.20 A
SFP	0.243 kW/m³/s
Control voltage	230.0 V
Supply voltage	230 V

Dimension



	A	ØDi	ØDa	ØTK	z x Ød
AR 250 sileo	135	257	305	280	4 x Ø7

Wiring



Clamp	Colour	Connection
U2	black	N
U1	blue	L
Z	brown	
PE	green/yellow	
TOP	grey	

Accessories

- AWE-SK Motorprotection 2A/230V (5138)
- Frequency converter FRQ5SE-6A (37421)
- MFA-AR/AXCBF 250 mounting foot (313300)
- REE 1 Speed control (5314)
- REV-5POL/05-7,5kW R/Y (33979)
- SG AR/AXCBF 250 guard grill (313299)
- VK-25 Louvre shutter (87687)
- EV-AR 250 flex.conn. 70°C (311174)
- GFL-AR/AXCBF 250 counterflange (311162)
- Motor protect. switch S-ET 10 (161199)
- REU 1.5 Speed control (5004)
- RTRE 1,5 Speed control (5008)
- Frequency converter FRQSE-6A (37419)

Documents

- IMO - 37377 - AR 250E4 SILEO.PDF
- MANUAL_AW__AR_EBM_EN_003-MIN.PDF
- DWG - 37377
- EU Declaration of Conformity_002
- installation variations_2_AR_AW.pdf