

AR Axial Fans

Low pressure axial duct fan

- Available with AC motors for 50 and 60Hz
- Installation in any position
- Noise and energy optimized impeller

[Find more details in our online catalogue](#)



Flexible

The AR fans are **designed** for extracting air in **low pressure systems**. They can be installed in any position and way according to your demands.

This ensures that the fans can be used in a variety of **commercial** and **industrial** applications.

Performance

The **noise optimized** axial impellers together with the **high efficient** external rotor motors are designed to ensure high-level performance to **minimize power consumption** and **maximize efficiency**.

Features

Construction

The round casing is made of galvanized steel with powder coating in RAL9005.

The **complete** range is provided **with inlet protection grid**. An **outlet protection grid** is **available as accessory**.

Depending on type, the fans are equipped with an external **terminal box**, protection class **IP44** or **IP54**.

Impeller

The AR fans use **axial impellers**. These are made of **coated steel**, **composite** material or **aluminum**, are dynamically **balanced** and are paired with corresponding external rotor motors.

Motor

AR fans are equipped with an **AC external rotor motor**. The motors are suitable for **50Hz** and **60Hz**.

Motor protection

The **AC** motors are equipped with prewired integral **thermal contact** with leads to be connected to a **motor protection unit**.

Control

The **AC motor** can be controlled by **5-step**, **stepless** speed regulator or **frequency inverter**.

Installation

The AR fans can be installed in **any position** in the **duct** in **indoor** environments.

Technical parameters

Nominal data

Voltage (nominal)	230	V
Frequency	50	Hz
Phases	1~	
Motor circuit connection	D	
Input power	71	W
Input power kW	0.071	kW
Input current	0.321	A
Impeller speed	2,490	rpm
Air flow	max 893	m³/h
Temperature of transported air	max 65	°C
Max temperature of transported air, when speed controlled	65	°C

Protection/Classification

Enclosure class, motor	IP44
Insulation class	B

Data according to ErP

ErP ready	Not ErP relevant
-----------	------------------

Dimensions and weights

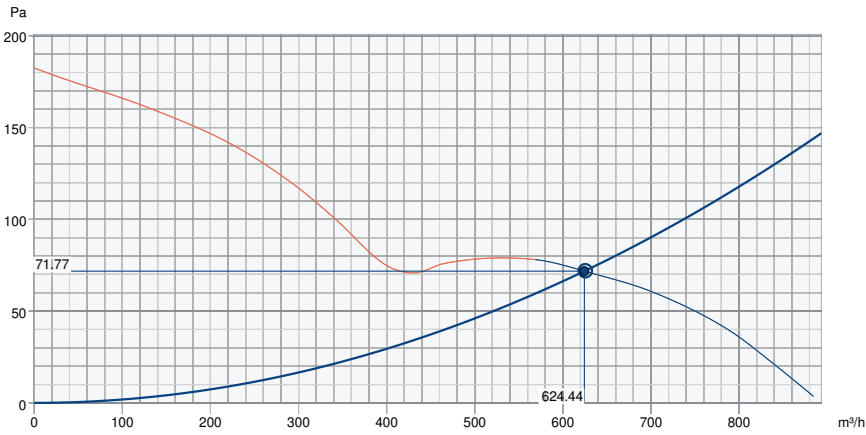
Duct dimension; Circular, inlet	200	mm
Duct dimension; Circular, outlet	200	mm
Weight	3.7	kg

Others

Duct connection type	Circular
Color name, casing	Black
Motor type	AC

Performance

Performance curve

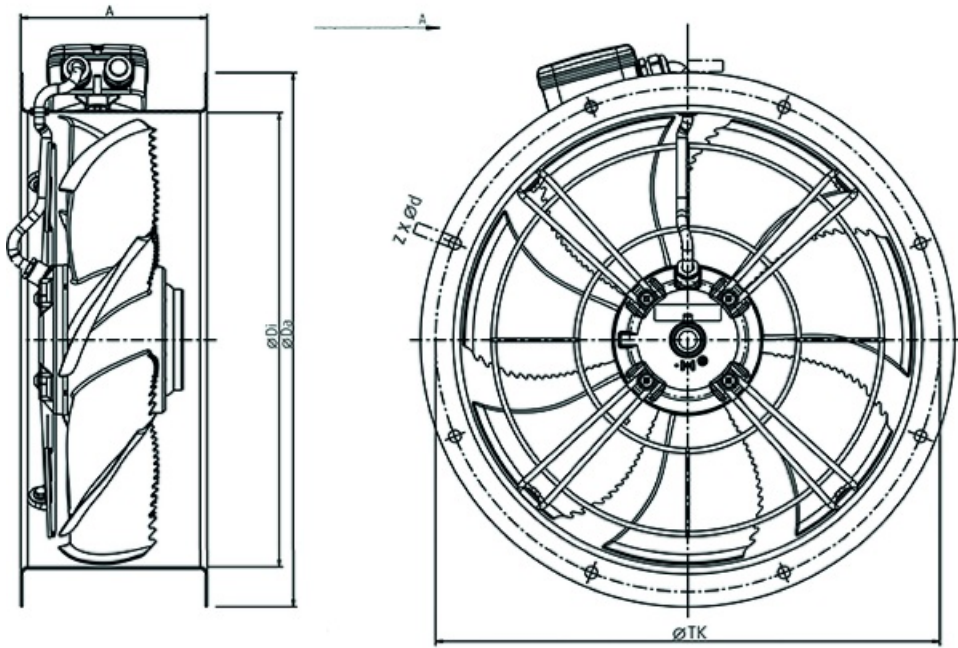


Hydraulic data

Required air flow	625 m³/h
Required static pressure	72 Pa
Working air flow	624 m³/h
Working static pressure	72 Pa
Air density	1.204 kg/m³
Power	70.7 W
Fan control - RPM	2,489 rpm
Current	0.30 A
SFP	0.408 kW/m³/s
Control voltage	230.0 V
Supply voltage	230 V

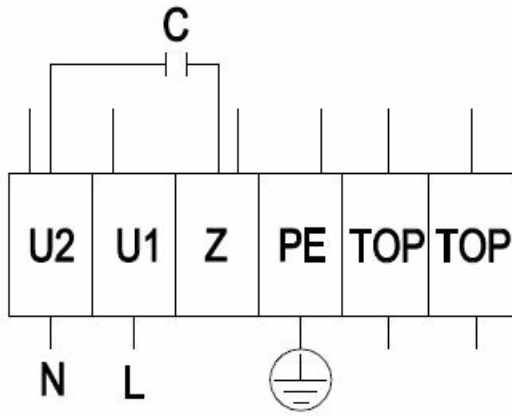
Sound power level		63	125	250	500	1k	2k	4k	8k	Total
Inlet	dB(A)	25	38	51	55	59	62	59	52	66
Outlet	dB(A)	26	38	51	56	60	63	60	53	67

Dimension



	A	ØDi	ØDa	ØTK	z x Ød
AR 200 sileo	135	200	250	225	4 x Ø7

Wiring



Clamp	Colour	Connection
U2	black	N
U1	blue	L
Z	brown	L
PE	green/yellow	PE
TOP	grey	L

Accessories

- AWE-SK Motorprotection 2A/230V (5138)
- Frequency converter FRQ5SE-6A (37421)
- Motor protect. switch S-ET 10 (161199)
- REU 1.5 Speed control (5004)
- RTRE 1,5 Speed control (5008)
- Frequency converter FRQSE-6A (37419)
- EV-AR 200 flex.conn. 70°C (308869)
- GFL-AR 200 counter flange (308868)
- REE 1 Speed control (5314)
- REV-5POL/05-7,5kW R/Y (33979)
- SG AR 200 guard grill (313298)
- VK-20 Louvre shutter (87686)

Documents

- MANUAL_AW__AR_EBM_EN_003-MIN.PDF
- DWG - 37374
- EU Declaration of Conformity_002
- installation variations_2_AR_AW.pdf