

Technical Data Sheet

CODE 42346

A-E 506 T

Compact plate axial fans



Certifications

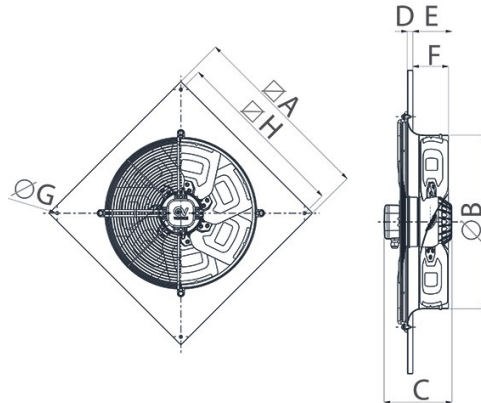
CE CE

EAC EAC

TECHNICAL AND PERFORMANCE DATA

Frequency (Hz)	50	Voltage (V)	380-415
Insulation class	I°	Weight (Kg)	15.0
IP	54	Max airflow (l/s)	1400
Max absorbed current (A)	0.79	Max airflow (m³/h)	5040
Max absorbed power (W)	250	Max pressure (Pa)	96
Max ambient temperature for continuous operation (°C)	50	Max pressure at Max speed (mmH2O)	9.8
Motor ATEX marking	54	RPM	1000
Nominal diameter (mm)	500	Sound power Lw [dB(A)]	73.2
Number of phases (Ph)	3	Sound pressure at 1m calculated in free field Lp [dB(A)]	62.2
Number of poles	6	Sound pressure at 3m calculated in free field Lp [dB(A)]	52.7

DIMENSIONS



Size A (mm)	630
Size B (mm)	508
Size C (mm)	198
Size D (mm)	16
Size E (mm)	114
Size F (mm)	105
Size G (mm)	11
Size H (mm)	530

PER INFORMAZIONI / FOR INFORMATION

ITALY

Pre Sales:
prevendita@vortice-italy.com
After Sales:
postvendita@vortice-italy.com

UNITED KINGDOM & REP. OF

IRELAND
Sales Dept:
sales@vortice.ltd.uk
Technical Dept:
technical@vortice.ltd.uk

OTHER COUNTRIES

Sales Dept:
export@vortice-italy.com
After Sales:
after-sales@vortice-italy.com

Technical Data Sheet

CODE 42346

A-E 506 T

Compact plate axial fans



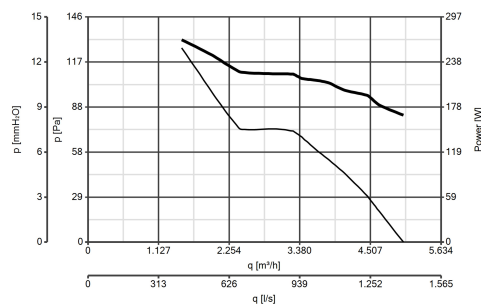
DESCRIPTION

- Nominal diameter 500 mm
- Panels made of pressed steel, phosphated and epoxy powder coated with hammered effect finish, guaranteeing long-term resistance to atmospheric agents.
- Ventilation port fashioned in one piece with the panel, gauged to optimize air flow, aerodynamically contoured and elongated to optimize performance and facilitate connection to the relative duct.
- Protective grille (in accordance with UNI ISO 13857 standard) combining the function of motor bracket, made of electrically welded steel with epoxy paint finish, colour black. Easy removal simplifies

maintenance and cleaning of the fan.

- 1 speed three-phase AC motor of external rotor type designed to minimize axial dimensions, with shaft turning in ball bearings, insulation class F, thermal overload protection.
- Dynamically balanced impeller (UNI ISO 1940, Point 1 – Class 6.3); 4 pressed steel blades, electrolytically galvanized and polyester powder-coated, colour black.
- Vortice speed controller.

CURVES



ACCESSORIES



IRT 35

Code 12924



IRET INVERTER 2,5 M

Code 12816



IRT 15

Code 12923



PGR 450/500 (PERSIANA GRAVITA')

Code 50550



TRA 450/500 (TELAIO CON RETE ANTINF.)

Code 51550

PER INFORMAZIONI / FOR INFORMATION

ITALY

Pre Sales:
prevendita@vortice-italy.com
After Sales:
postvendita@vortice-italy.com

UNITED KINGDOM & REP. OF

IRELAND
Sales Dept:
sales@vortice.ltd.uk
Technical Dept:
technical@vortice.ltd.uk

OTHER COUNTRIES

Sales Dept:
export@vortice-italy.com
After Sales:
after-sales@vortice-italy.com

