

# Technical Data Sheet

CODE 42337

## A-E 506 M

Compact plate axial fans



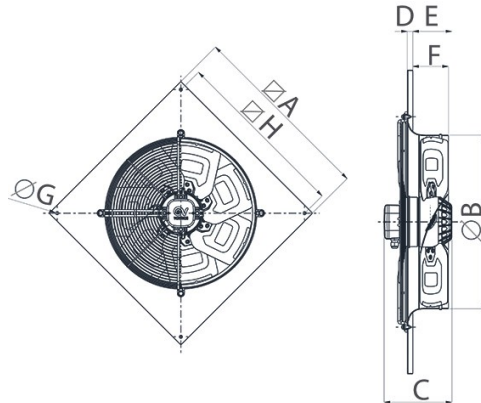
### Certifications



### TECHNICAL AND PERFORMANCE DATA

Frequency (Hz)	50/60*	Voltage (V)	220-240
Insulation class	I°	Weight (Kg)	17.6
IP	54	Max airflow (l/s)	1335
Max absorbed current (A)	1.27	Max airflow (m³/h)	4805
Max absorbed power (W)	290	Max pressure (Pa)	152
Max ambient temperature for continuous operation (°C)	50	Max pressure at Max speed (mmH2O)	15.5
Motor ATEX marking	54	RPM	1000
Nominal diameter (mm)	500	Sound power Lw [dB(A)]	77.7
Number of phases (Ph)	1	Sound pressure at 1m calculated in free field Lp [dB(A)]	66.7
Number of poles	6	Sound pressure at 3m calculated in free field Lp [dB(A)]	57.2

### DIMENSIONS



Size A (mm)	630
Size B (mm)	508
Size C (mm)	218
Size D (mm)	16
Size E (mm)	134
Size F (mm)	105
Size G (mm)	11
Size H (mm)	530

### PER INFORMAZIONI / FOR INFORMATION

#### ITALY

Pre Sales:  
prevendita@vortice-italy.com  
After Sales:  
postvendita@vortice-italy.com

#### UNITED KINGDOM & REP. OF

IRELAND  
Sales Dept:  
sales@vortice.ltd.uk  
Technical Dept:  
technical@vortice.ltd.uk

#### OTHER COUNTRIES

Sales Dept:  
export@vortice-italy.com  
After Sales:  
after-sales@vortice-italy.com

# Technical Data Sheet

CODE 42337

## A-E 506 M

Compact plate axial fans

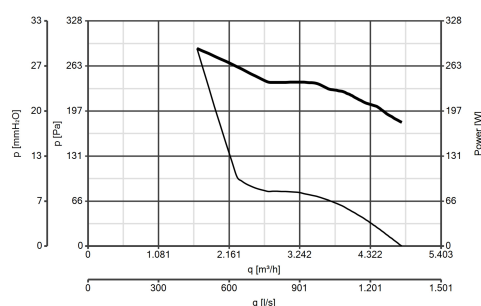


### DESCRIPTION

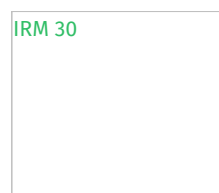
- Nominal diameter 500 mm
- Panels made of pressed steel, phosphated and epoxy powder coated with hammered effect finish, guaranteeing long-term resistance to atmospheric agents.
- Ventilation port fashioned in one piece with the panel, gauged to optimize air flow, aerodynamically contoured and elongated to optimize performance and facilitate connection to the relative duct.
- Protective grille (in accordance with UNI ISO 13857 standard) combining the function of motor bracket, made of electrically welded steel with epoxy paint finish, colour black. Easy removal simplifies

- maintenance and cleaning of the fan.
- 1 speed single phase AC motor of external rotor type designed to minimize axial dimensions, with shaft turning in ball bearings, insulation class F, thermal overload protection.
- Dynamically balanced impeller (UNI ISO 1940, Point 1 – Class 6.3); 7 pressed steel blades, electrolytically galvanized and polyester powder-coated, colour black.
- Vortice speed controller.

### CURVES



### ACCESSORIES



**IRM 30**  
Code 12921



**IREM INVERTER  
4 M**  
Code 12815



**PGR 450/500  
(PERSIANA  
GRAVITA')**  
Code 50550



**TRA 450/500  
(TELAIO CON  
RETE ANTINF.)**  
Code 51550



**IREM 3 CD  
99250080**  
Code 12931

### PER INFORMAZIONI / FOR INFORMATION

ITALY  
Pre Sales:  
prevendita@vortice-italy.com

UNITED KINGDOM & REP. OF  
IRELAND  
Sales Dept:  
sales@vortice.ltd.uk

OTHER COUNTRIES  
Sales Dept:  
export@vortice-italy.com

After Sales:  
postvendita@vortice-italy.com

Technical Dept:  
technical@vortice.ltd.uk

After Sales:  
after-sales@vortice-italy.com